



MATERIA COLLECTION

LUXURY DECOR & BESPOKE SOLUTIONS

CONO DE TERRA- DECORATIVE FLOOR LAMP

LAURAMERONI
design . collection



Floor lamp consisting of a solid stained fir wood structure and with a sculptural lamp shade in mouth-blown Murano glass.

Available in both table lamp and floor lamp versions.

The Cono lamps are characterized by the solid fir wood structure, providing warmth and character, emitting a sense of authenticity and solidity.

However, it is the sculptural lampshade in mouth-blown Murano glass that catches the eye, with its sinuous shapes and luminous transparency spreading an aura of timeless charm and elegance.

TABLE LAMP



Table lamp consisting of a solid stained fir wood structure and with a sculptural lampshade in mouth-blown Murano glass.

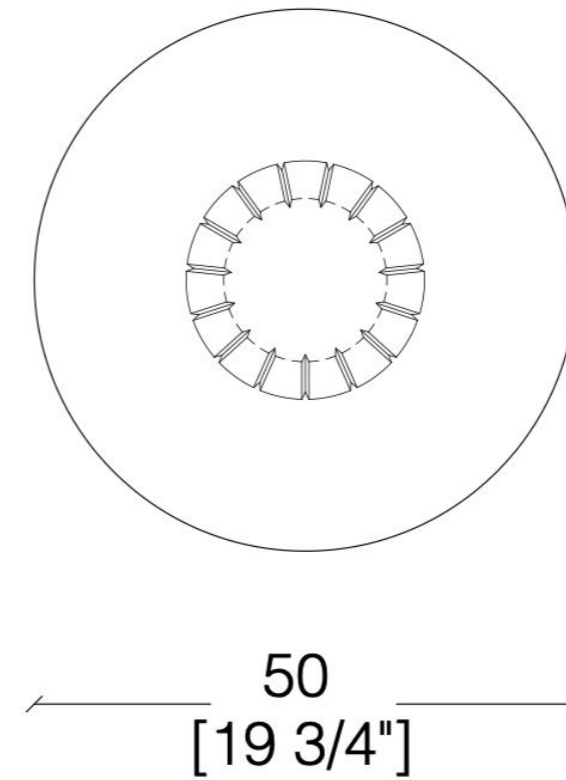
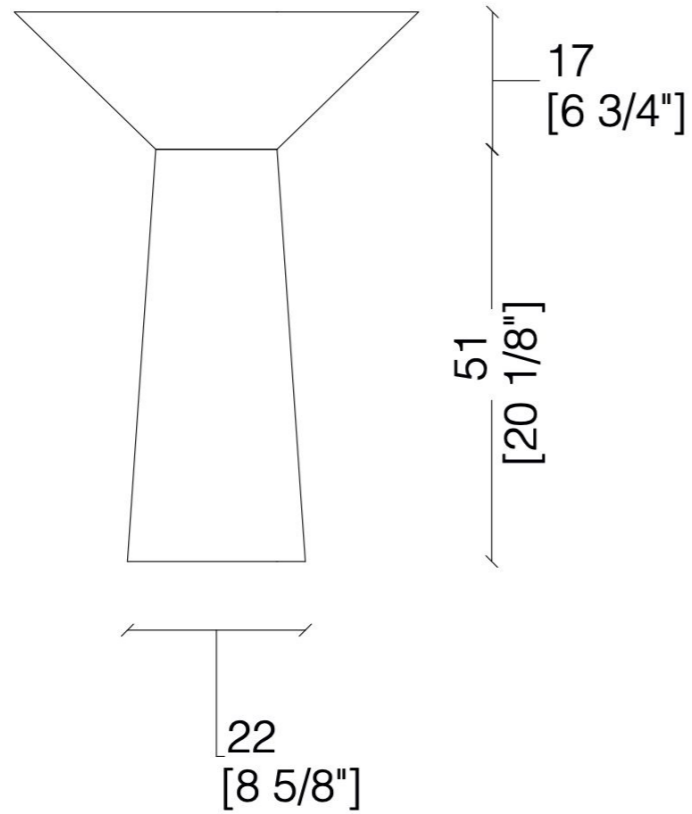
Available in both table lamp and floor lamp versions.





MATERIA COLLECTION
LUXURY DECOR & BESPOKE SOLUTIONS

CA 68 table lamp



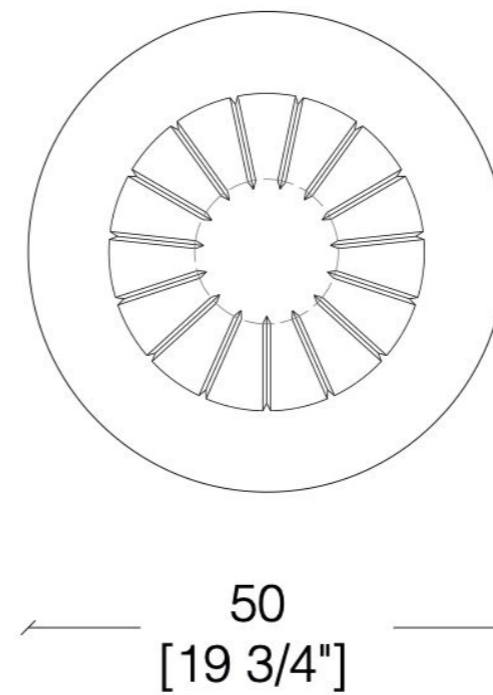
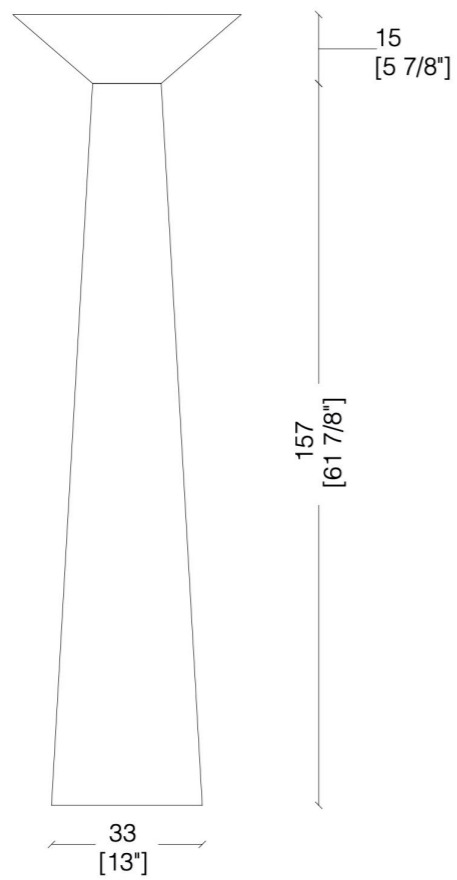
LIGHT SOURCE

Type: LED
 Base: E27
 Wattage: 100W
 Lumen: 1520
 Colour: Warm white
 Temperature: 3000 K
 Cri: >80

Transformer:

Volt IN: 220-240V
 Volt OUT: 24V
 Hz: 50-60 Hz
 Dimmer: not dimmable

CA 170 floor lamp



LIGHT SOURCE

Type: LED
 Base: E27
 Wattage: 100W
 Lumen: 1520
 Colour: Warm white
 Temperature: 3000 K
 Cri: >80

Transformer:

Volt IN: 220-240V
 Volt OUT: 24V
 Hz: 50-60 Hz
 Dimmer: not dimmable

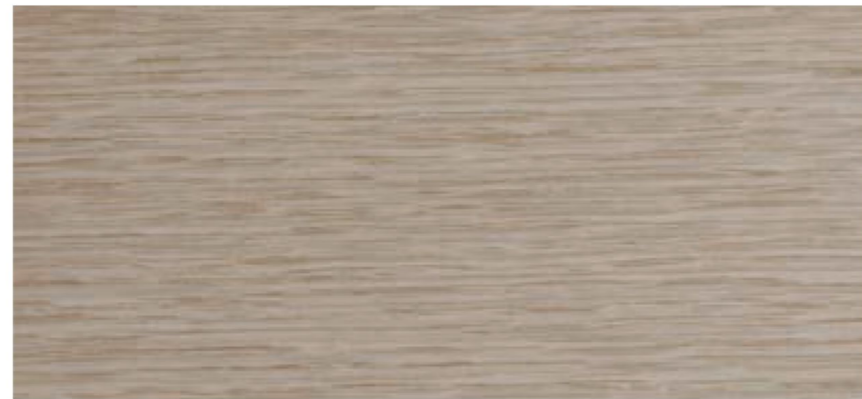
FINISHES FOR THE BASE



Fir wood



Dyed in all wood colours



Aniline Dyed



Available in all RAL/NCS colors

LAMPSHADE



Murano glass



www.materiacollection.com | info@materiacollection.com

MATERIA COLLECTION
LUXURY DECOR AND BESPOKE SOLUTIONS

📍 [1060 Kane Concourse, Bay Harbor Islands, FL 33154](#)
📍 [267 5th Ave., #504, New York, NY 10016](#)

📞 786-438-1330
📞 800-849-4953