



# MATERIA COLLECTION

LUXURY DECOR & BESPOKE SOLUTIONS

CLIS TABLE LAMP

LAURAMERONI  
design . collection

Table lamp composed of a metal structure and an interchangeable disc-shaped magnetic cover.

Part of the Clis collection, the table lamp proposes the unique style and the wide range of customization possibilities of the suspension version.

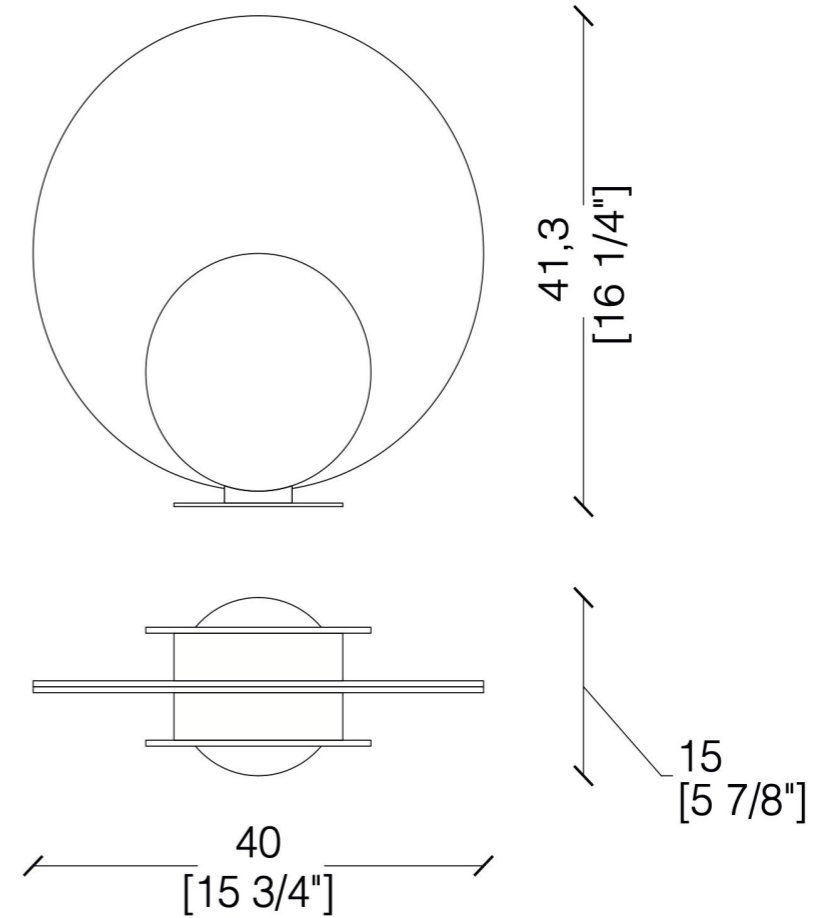
Designed to create a warm and pleasant atmosphere, it is equipped with a structure in satin brass or copper, and with interchangeable covers in precious polychrome marbles.





**MATERIA** COLLECTION  
LUXURY DECOR & BESPOKE SOLUTIONS

# SPECIFICATIONS



## LIGHTING INCLUDED

Type: LED strip    Model: 120 led/m - 9,6 W/m - 615 lumen/m  
Wattage: 16W    Base: G4    Lumen: 1.230  
Colour: Warm White    Temperature: 2700K    Cri: >80

## TRANSFORMER INCLUDED

Volt IN: 100-240V    Volt OUT: 24V    Hz: 50-60 Hz  
Dimmer: No dimmable

STRUCTURE

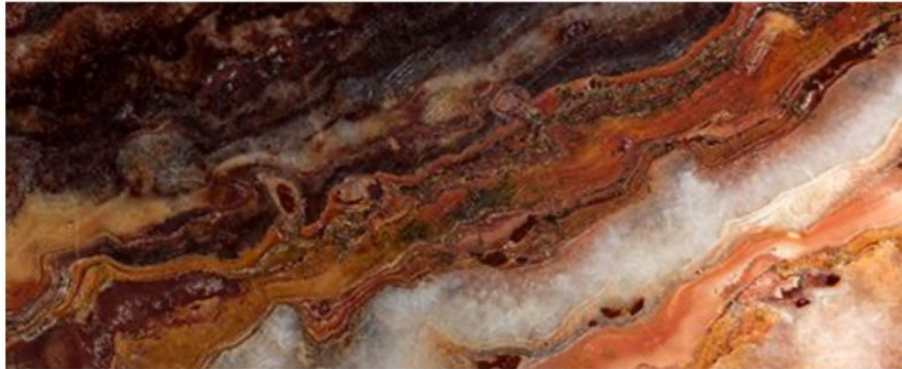


SATIN BRASS

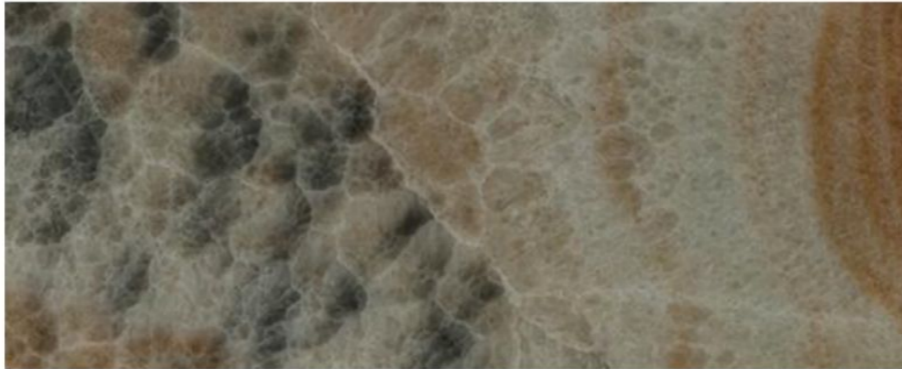


SATIN COOPER

ONYX



PURPLE ONYX



GREY ONYX



[www.materiacollection.com](http://www.materiacollection.com) | [info@materiacollection.com](mailto:info@materiacollection.com)

**MATERIA** COLLECTION  
LUXURY DECOR AND BESPOKE SOLUTIONS

📍 1060 Kane Concourse, Bay Harbor Islands, FL 33154  
📍 267 5th Ave, #504, New York, NY 10016

📞 786-438-1330  
📞 800-849-4953