



MATERIA

COLLECTION
LUXURY DECOR AND BESPOKE SOLUTIONS

AURIZIA LAMP

LAURAMERONI
design . collection

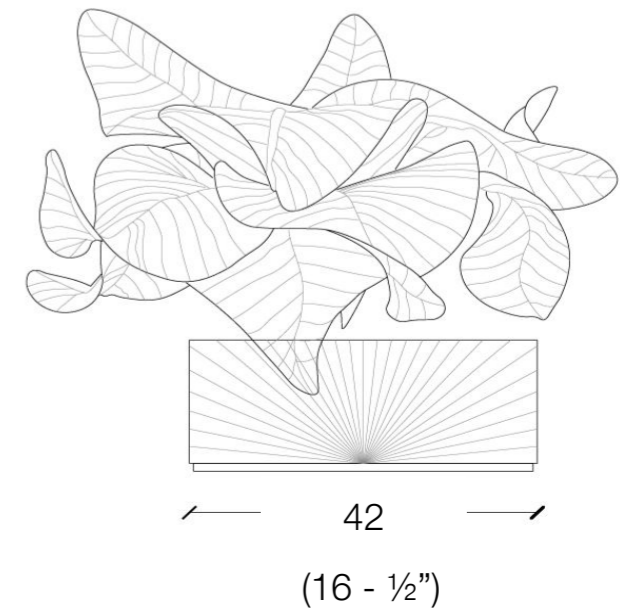
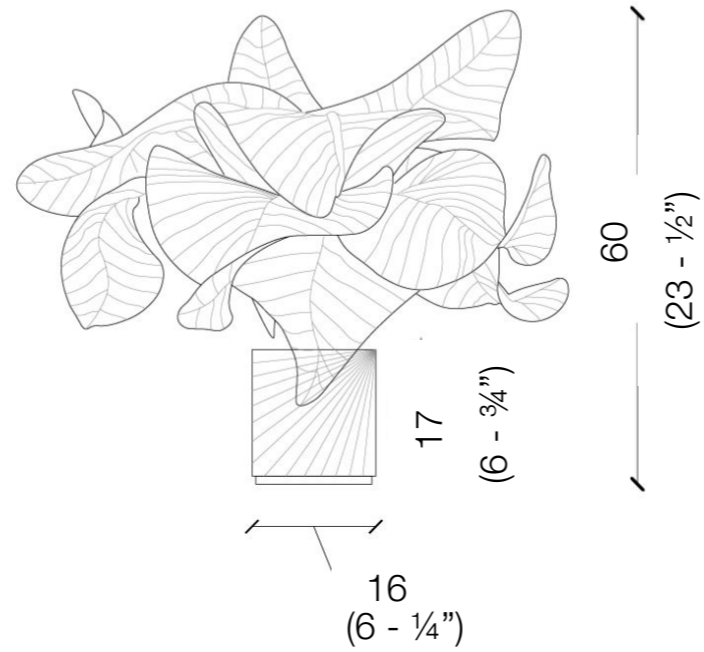
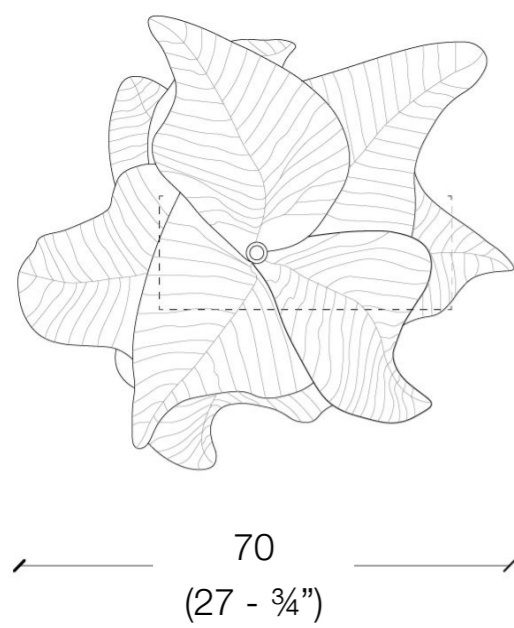


Table lamp with wooden base decorated with a rye straw inlay and decorative flower-shaped lampshade in Banaca fiber.

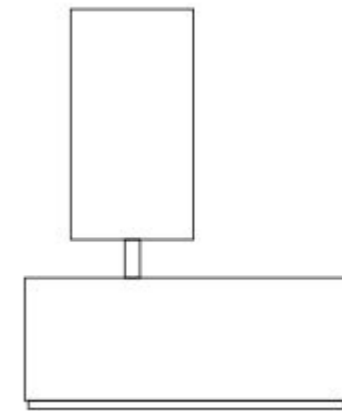
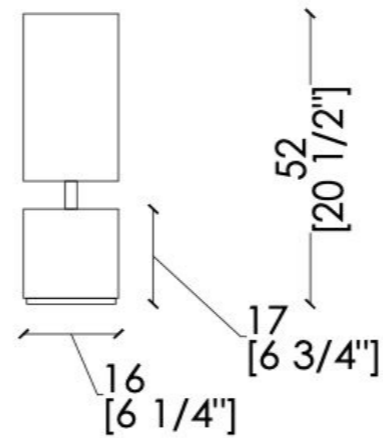
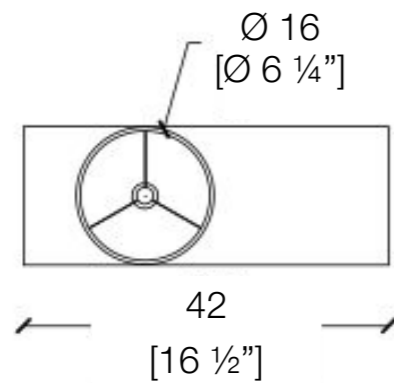
Laurameroni table lamps are true works of art offering a new perception of the luminous object and creating a warm and pleasant atmosphere.



OPTIONS WITH DECORATIVE LAMPSHADE



OPTIONS WITH PARCHMENT LAMPSHADE



LIGHTING INCLUDED

Type: LED strip

Wattage: 6W

Colour: Warm White

Walt IN: 220 -240V *

Base: E27 Bulb: T30 Lumen: 600

Temperature: 2700K Cri:

Hz: 50-60 Hz

The version for voltage 100 - 120V will be supplied without bulb

STANDARD WOODS



Maple



Oak



Teak



Zebirano



Walnut Canaletto



Dyed Walnut Canaletto



Mahogany



Ebony



Termocotto Oak

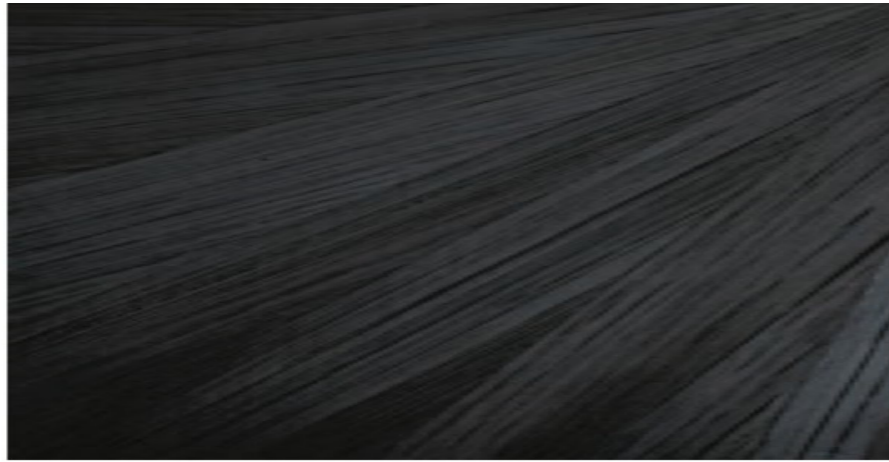


Rosewood

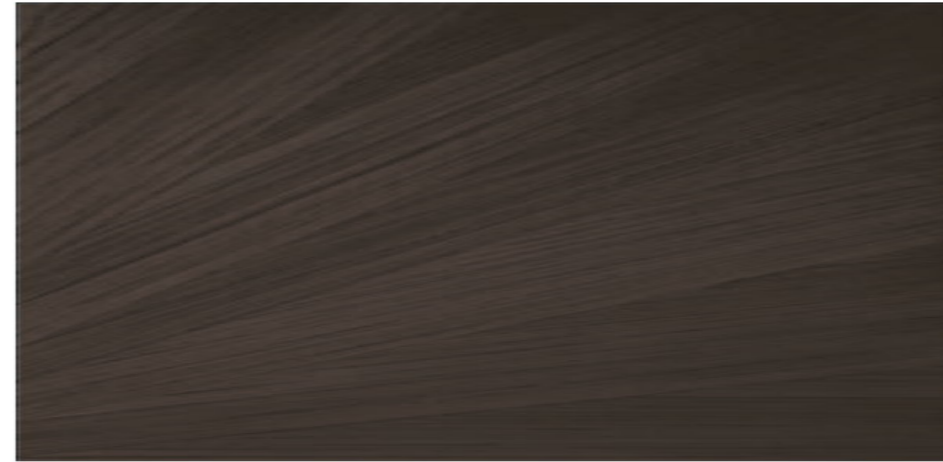


Wenge

STRUCTURE



Rye Straw Wuay Black



Rye Straw Wuay Brown

LAMPSHADE



Banac Fiber



Natural or Dyed Parchment



www.materiacollection.com | info@materiacollection.com

MATERIA COLLECTION
LUXURY DECOR AND BESPOKE SOLUTIONS

📍 [1060 Kane Concourse, Bay Harbor Islands, FL 33154](#)

📍 [267 5th Ave. #504, New York, NY 10016](#)

📞 786-438-1330

📞 800-849-4953