



MATERIA COLLECTION

LUXURY DECOR & BESPOKE SOLUTIONS

MAYFAIR WALL LAMP

LAURAMERONI
design . collection



Mayfair Wall is an LED wall lamp realized in goat parchment and burnished brass. The generous dimensions make it a highly distinctive lamp.

The design of this lamp derives from the iconic chandelier version, with which it shares the same materials and aesthetic appearance with a strong geometric characterization.

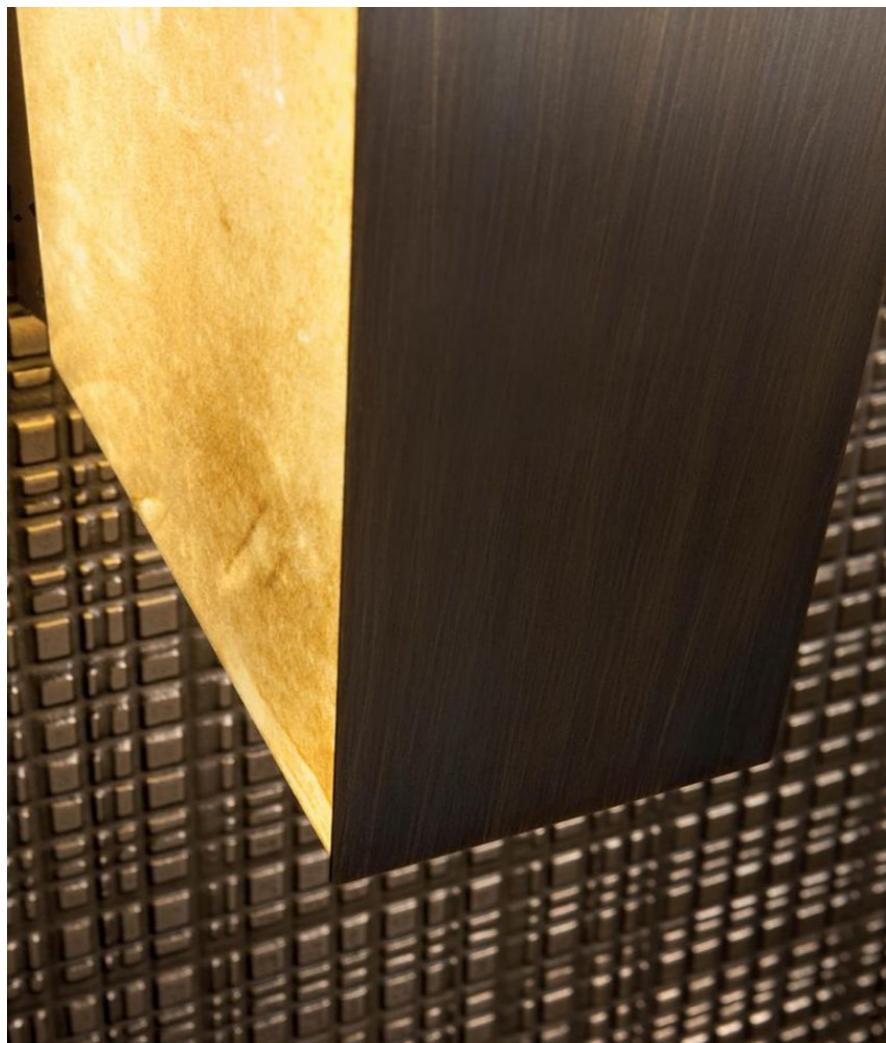
Mayfair Wall can be installed on the wall with any type of orientation, creating a suggestive geometric decorative effect.



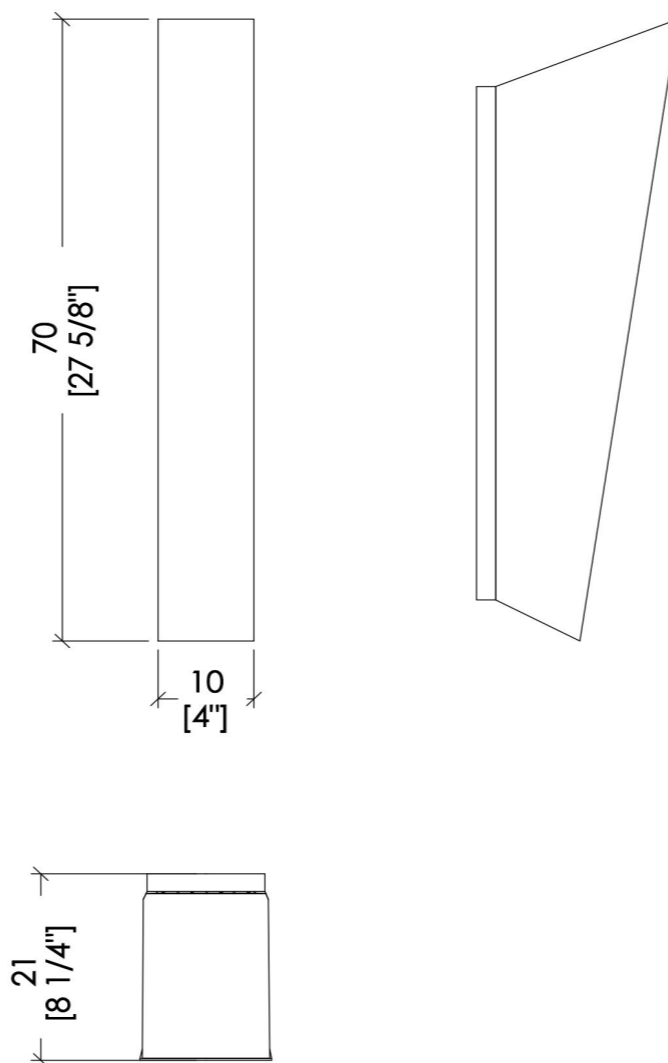
Mayfair wall is a 3000K warm light led wall lamp with the body covered in goat parchment and front clad in burnished brass.

The geometrical shape of the lamp combined with the precious materials make this lamp a unique source of light for high-end decorations.

A solid burnished brass sheet is hand brushed and applied on the goat skin clad lighting body.

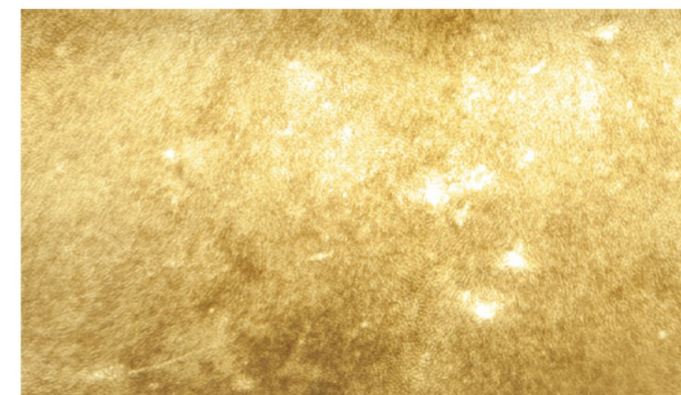


Mayfair Wall FA 07



FINISHES

Burnished brass with lighting body covered with parchment.



Goat Parchment



Burnished Brass

LIGHTING INCLUDED

Type: LED
 Model:
 Wattage:
 Colour: Warm White

Lumen:
 Wattage equiv:
 Temperature: 3000K

Cri:

TRANSFORMER INCLUDED

Model transformer:
 Volt IN: 100-220V Volt OUT: 24V Hz: 50-60 Hz
 Dimmer: Not dimmable



www.materiacollection.com | info@materiacollection.com

MATERIA COLLECTION
LUXURY DECOR AND BESPOKE SOLUTIONS

📍 [1060 Kane Concourse, Bay Harbor Islands, FL 33154](#)
📍 [267 5th Ave, #504, New York, NY 10016](#)

📞 786-438-1330
📞 800-849-4953