



MATERIA COLLECTION

LUXURY DECOR & BESPOKE SOLUTIONS

ADA TABLE LAMP

LAURAMERONI
design . collection



Table lamp with Alabaster base and brass lampshade.

Ada is a sculptural table lamp that combines a typically Italian material with ancient origins such as the Alabaster with satin burnished brass.

A polyhedral base designed to exalt the natural veins of the alabaster and with a side in satin brass and a lampshade with a rounded shape but with an unusual cutting detail made in burnished brass.

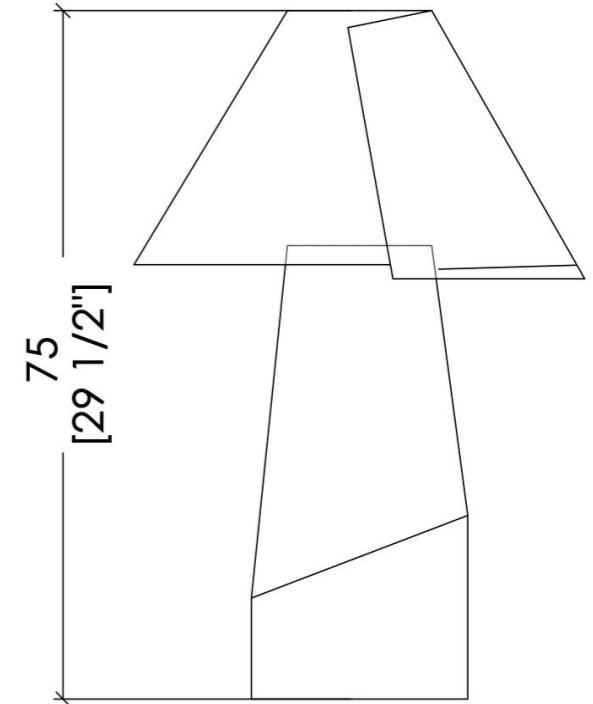
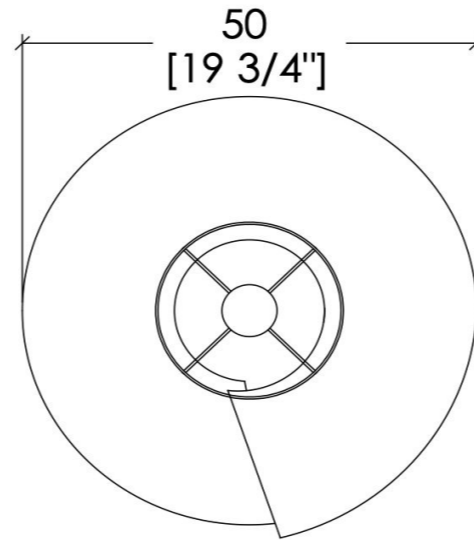
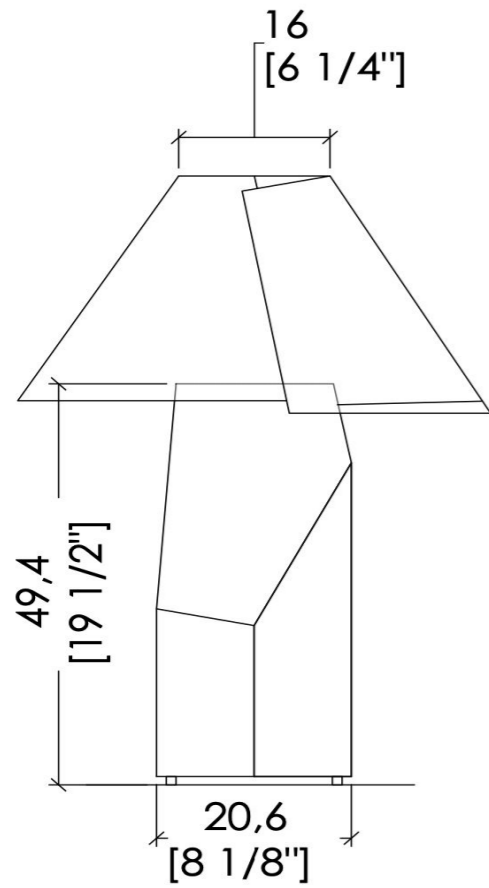




A lamp with a very unique design made by combining alabaster with satin brass. Thanks to its irregular polyhedral base, Ada offers different perspectives of light and space.

The meticulous and precise connection between alabaster and satin brass expresses the great attention to detail of our craftsmen.

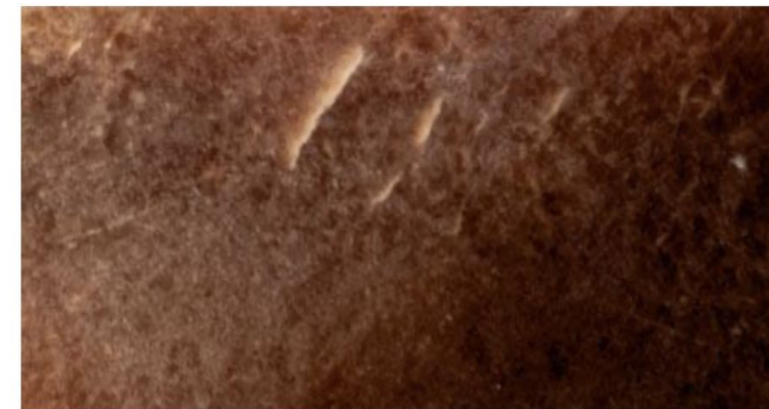
A luminous sculpture that diffuses a soft light and highlights the natural veins of the alabaster and the brightness of the brass.



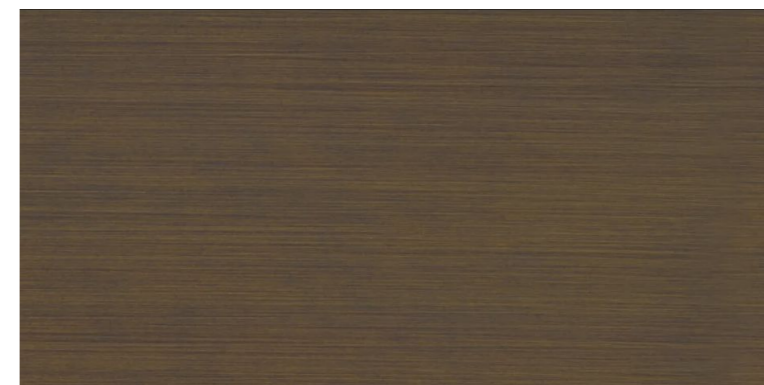
LIGHTING INCLUDED

Type: LED Base:E27 Bulb: T26
 Model: BH 56401 Wattage: 6W
 Wattage equiv: 60W Lumen: 810
 Colour: Warm White Temperature: 2700K Cri: >80
 Volt IN: 220 -240V * Hz: 50-60 Hz

*The version for voltage 100-120V will be supplied without bulb



BASE- Volterra Brown Alabaster



Burnished Brass



www.materiacollection.com | info@materiacollection.com

MATERIA COLLECTION
LUXURY DECOR AND BESPOKE SOLUTIONS

📍 [1060 Kane Concourse, Bay Harbor Islands, FL 33154](#)
📍 [267 5th Ave, #504, New York, NY 10016](#)

📞 786-438-1330
📞 800-849-4953