



MATERIA COLLECTION

LUXURY DECOR & BESPOKE SOLUTIONS

SWIRL SUSPENSION LAMP

LAURAMERONI
design . collection



Swirl is a suspension lamp made of a thin strip of metal in spiral form that generates an upward movement.

This motion follows the curved line which is the source of a diffuse light, while the play of reflections on the metal surface creates a precious warm light, perfect for a pleasant and welcoming atmosphere.

The use of brass, hand worked, respects Laurameroni usual attention to metals to heighten their precious essence and create unique products.





Hanging lamp made of an acid-etched brass strip in spiral form, available in two different diameters, with LED light and adjustable cables.

The acid-etched brass is an elegant and modern solution for the most demanding clients.

The unique design generates an upward movement following the curved lines of the lamp which is the source of a diffuse light.





Used in combination to create unique compositions, Swirl lamp is an original lighting solution for a contemporary atmosphere.

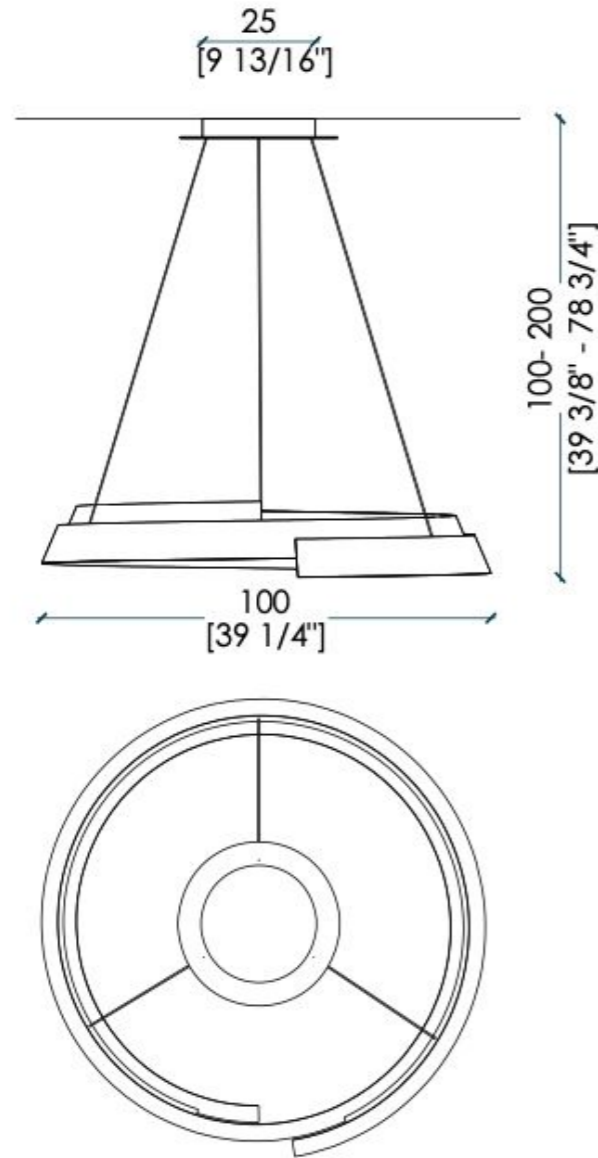
This lamp can be use individually or in combination, to create unique effects thanks to the adjustable cables.



Acid-Etched Brass

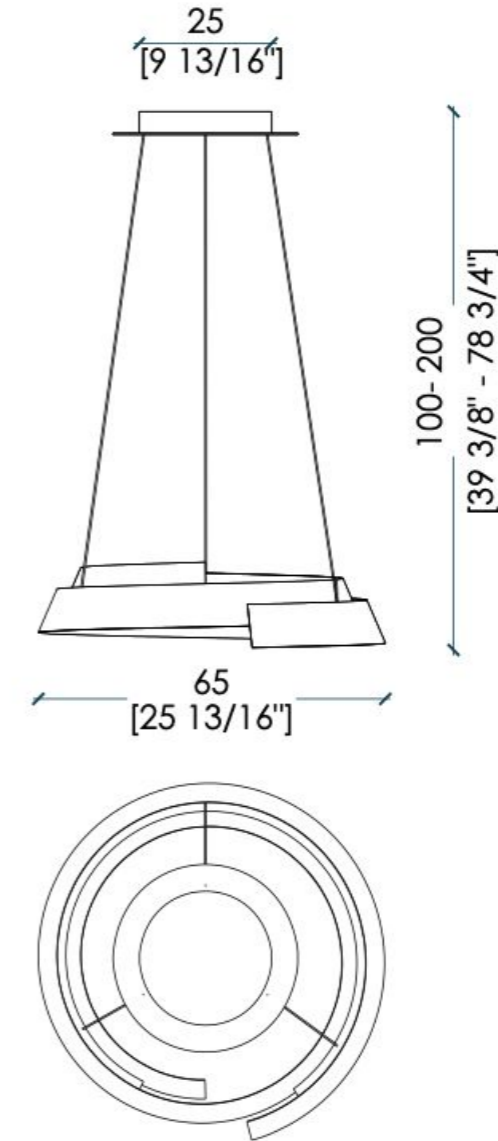
Swirl CA 100

Weight: 28.66 lbs (13 kg)



Swirl CA 65

Weight: 19.84 lbs (9 kg)



Light included:

Type: LED strip Model: 2835 120 led/m 12W/m 1700 lumen/m
 Wattage: 64,2W Lumen: 9095
 Colour: Warm White Temperature: 3000K Cri: >90

Transformer Included:

Model: QLT PBF 100 D 24V Volt IN: 100-240V Volt OUT: 24V Hz: 50-60 Hz
 Dimmer with 2 systems: DALI Normally Open push button

Light included:

Type: LED strip Model: 2835 120 led/m 12W/m 1700 lumen/m
 Wattage: 41,4W Lumen: 5865
 Colour: Warm White Temperature: 3000K Cri: >90

Transformer Included:

Model: QLT PBF 100 D 24V Volt IN: 100-240V Volt OUT: 24V Hz: 50-60 Hz
 Dimmer with 2 systems: DALI Normally Open push button



www.materiacollection.com | info@materiacollection.com

MATERIA COLLECTION
LUXURY DECOR AND BESPOKE SOLUTIONS

📍 1060 Kane Concourse, Bay Harbor Islands, FL 33154
📍 267 5th Ave New York, NY 10016

📞 786-438-1330
📞 800-849-4953