



# MATERIA COLLECTION

LUXURY DECOR & BESPOKE SOLUTIONS

SOTTASS COLLECTION - SA07

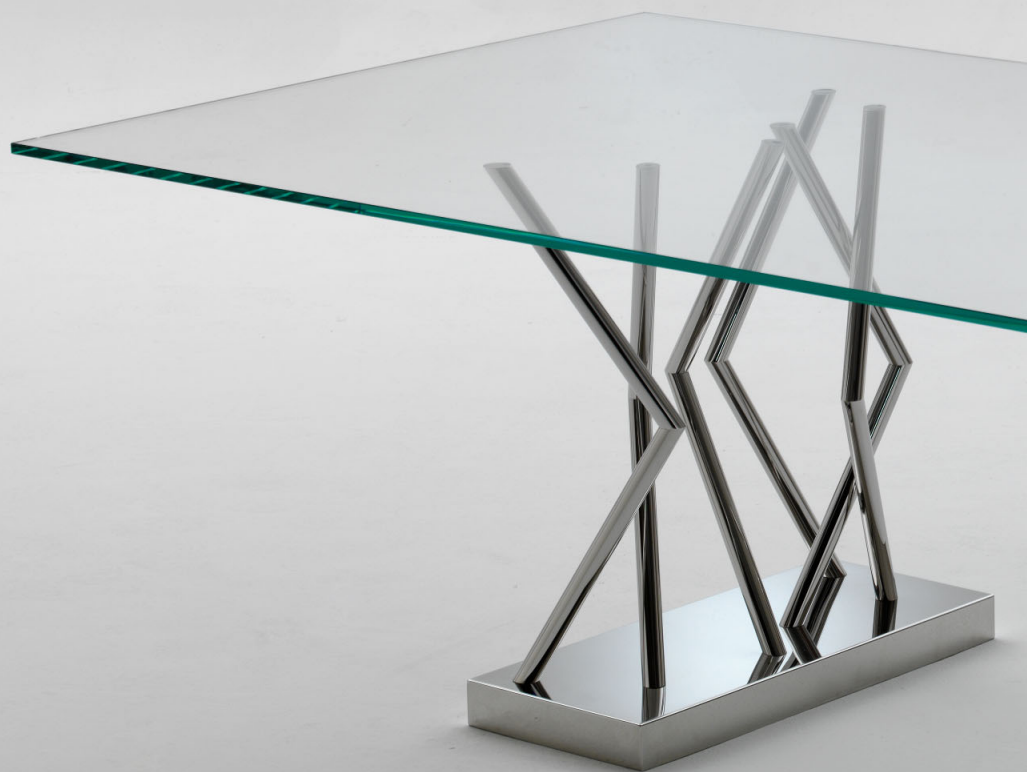
LAURAMERONI  
design . collection

## SOTTASS TABLE

SA 07 by Sottsass Associati is a table with polished steel bases and structures and transparent ultra-light glass top.

This table, thanks to the combination of steel and glass and to the original choice of multiple legs crossing in different points, offers a contemporary and unique result.





SA 07 wisely combines steel and crystal to obtain unique reflections for modern environments.

Two rectangular polished steel bases, immediately recognizable thanks to the distinguishing design, support the transparent crystal table top.

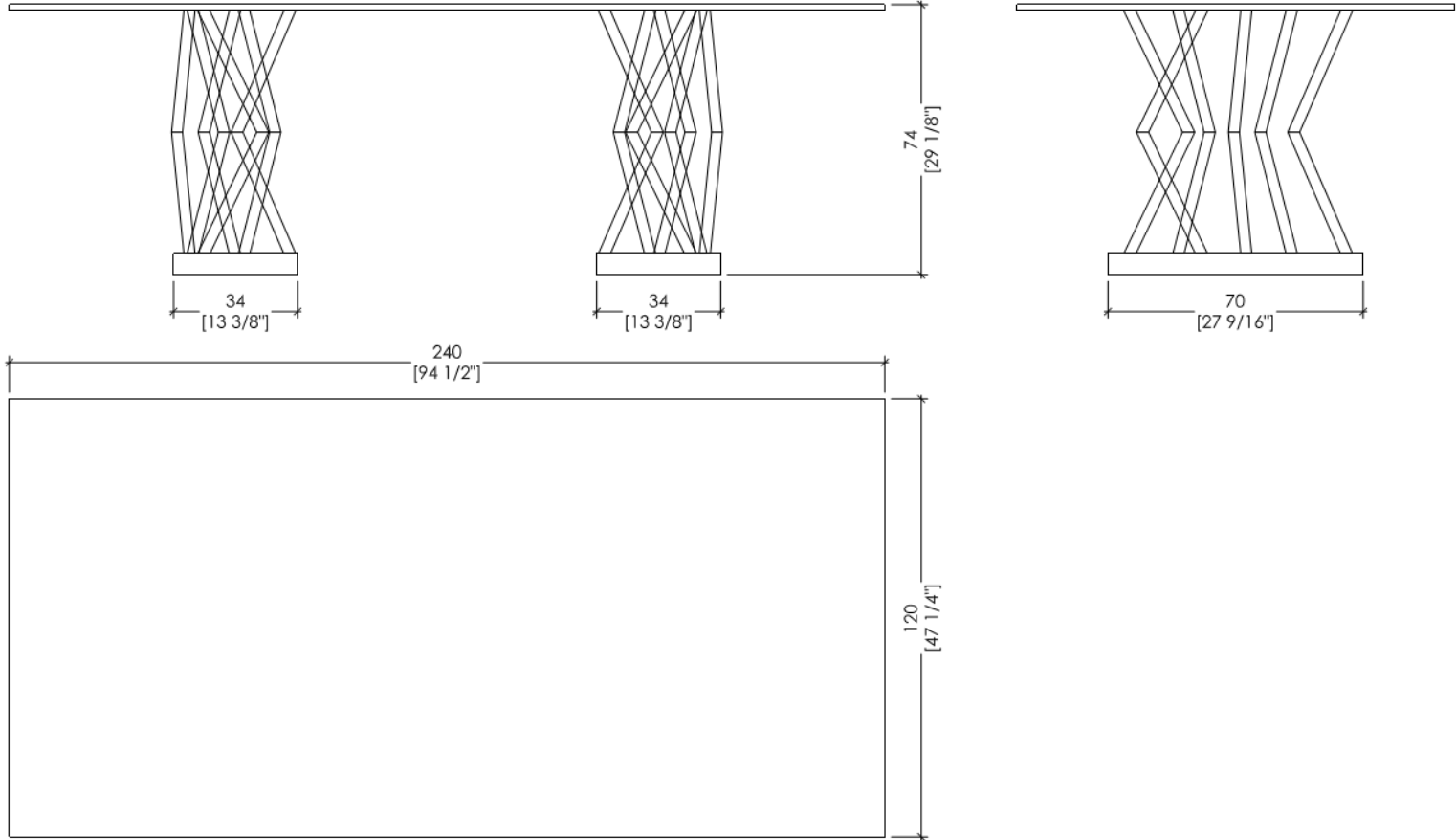
Each polished steel support follows its own direction, thus creating a surprising and dynamic effect.

Perfect both for private and public environments, SA 07 combines essential luxury and co





**DIMENSIONS**



# MATERIA

---

COLLECTION  
LUXURY DECOR AND BESPOKE SOLUTIONS

1060 Kane Concourse, Bay Harbor Islands, FL 33154

[www.materiacollection.com](http://www.materiacollection.com) | [info@materiacollection.com](mailto:info@materiacollection.com)

1-800-849-4953 | 786-438-1330

LAURAMERONI  
design . collection

U.S.A HEADQUARTERS