

MATERIA COLLECTION

LUXURY DECOR & BESPOKE SOLUTIONS

SOTTSASS COLLECTION – SA03

LAURAMERONI
design . collection





Glass cabinet with bright steel base. Unit in yellow aniline-dyed maple, 1 hinged door, sides, back and top in transparent ultra-light glass. On request satin glass available.

SA 03 is a glass cabinet created for luxury environments in which reflexes and transparency dominate.

It is a unique sideboard to be used in different spaces and with a strong characterization thanks to a unique combination of materials and colors.



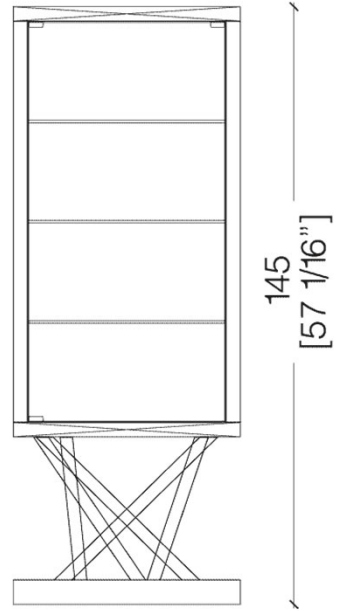
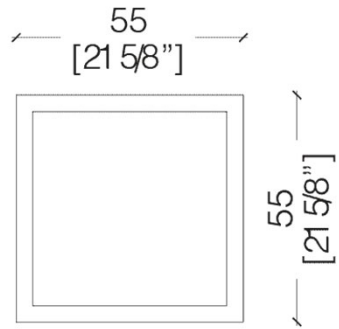
SA 03 Cabinet is characterized by a yellow aniline-dyed maple frame that combines with a crystal structure with hinged door and shelves supported by a polished steel base.

Different materials and colors combine to create a unique product, characterized by a suggestive interplay of geometries.

The glass transparency turns this cabinet into an ideal product for elegantly

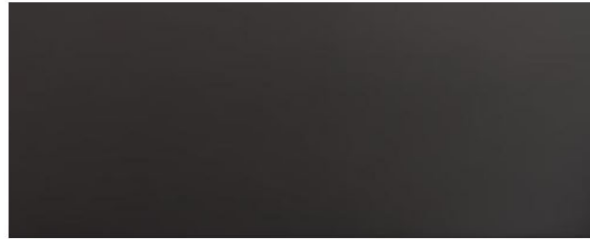
Different materials and colors combine to create a unique product, characterized by a suggestive interplay of geometries.

DIMENSIONS





Polished Steel



Pewter finish



Brass finish

MATERIA COLLECTION

LUXURY DECOR & BESPOKE SOLUTIONS

1060 Kane Concourse, Bay Harbor Islands FL 33154

www.materiacollection.com | info@materiacollection.com

1-800-849-4953 | 786-438-1330