



MATERIA COLLECTION

LUXURY DECOR & BESPOKE SOLUTIONS

JUTA WALL PANEL

LAURAMERONI
design . collection



Made-to-measure wooden wall panels with "Juta" texture available in the precious finishes in liquid bronze or tin metal.

The "liquid metal" finish covers and impregnates the jute and cotton patchwork which is applied on the raw wood panel, with an always different direction. This particular technique enhances the surface of the boiserie and represents its distinctive feature.



MATERIA COLLECTION

LUXURY DECOR & BESPOKE SOLUTIONS



The combination and overlap of the fabrics is expertly interpreted by our master craftsmen to create a patchwork that is never the same but with a great visual impact.

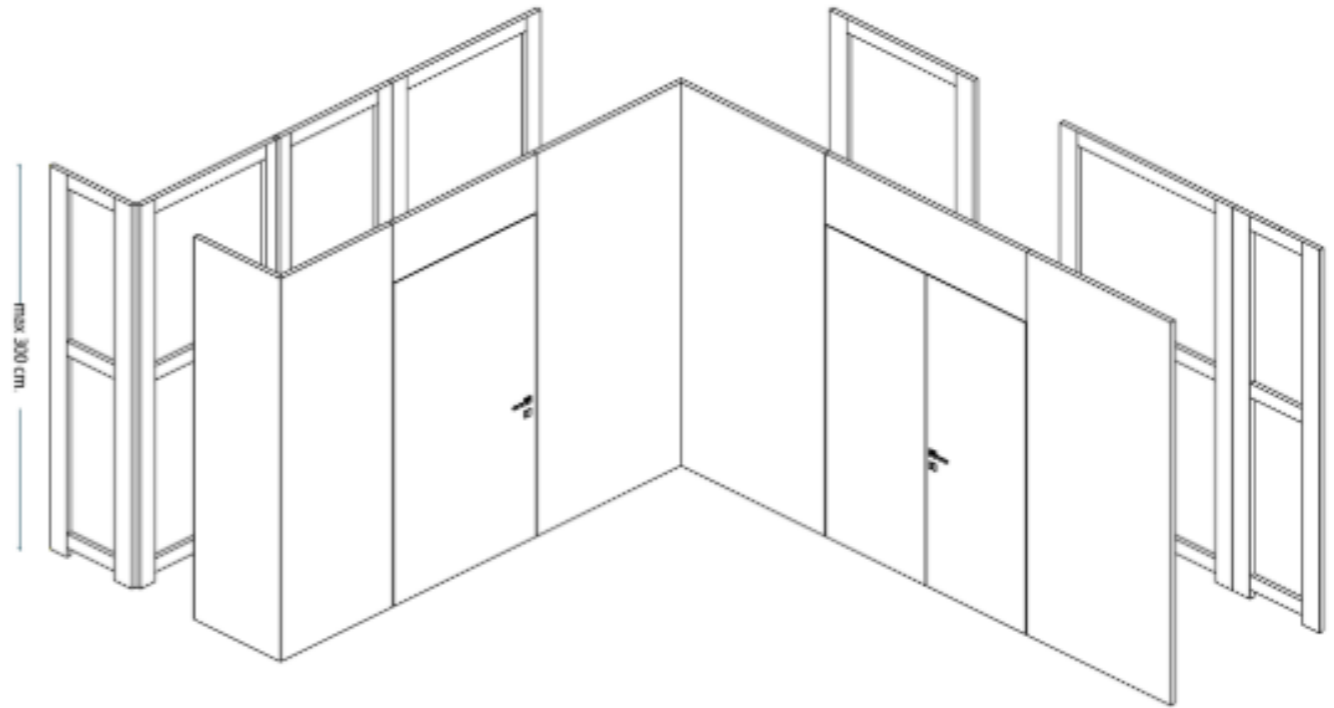
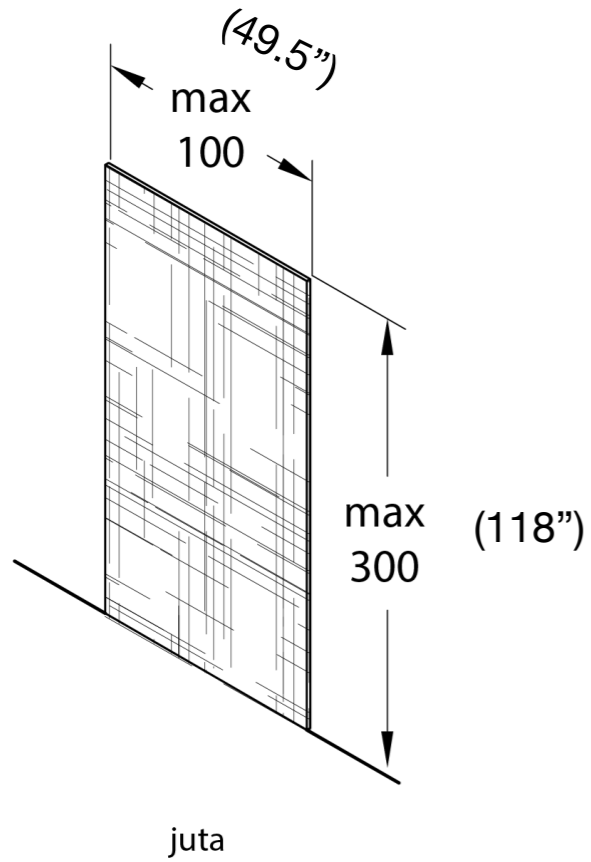
The liquid metal spread on the fabrics amplifies the originality of the geometric designs and overlaps, giving the wall an aspect of great originality.





"Juta" panels expresses great attention to the quality and originality of the surface treatments. You can perceive the overlapping of the different fabrics by touching them. It's a meticulous work made of technique, great craftsmanship and creative ability.

The "Juta" panel surprises and immediately draws the attention of those who observe it for the great refinement that characterize it and for the value that adds to the walls, creating them into a work of art.



Juta offers a series of hinged and sliding doors which can be fully integrated in this modern wall cladding system.

JUTA



TIN



BRONZE

MATERIA

COLLECTION
LUXURY DECOR AND BESPOKE SOLUTIONS

1060 Kane Concourse, Bay Harbor Islands, FL 33154

www.materiacollection.com | info@materiacollection.com

1-800-849-4953 | 786-438-1330

LAURAMERONI
design . collection

U.S.A HEADQUARTERS