



MATERIA COLLECTION

LUXURY DECOR & BESPOKE SOLUTIONS

DARK LIGHT MA 10 LAMP

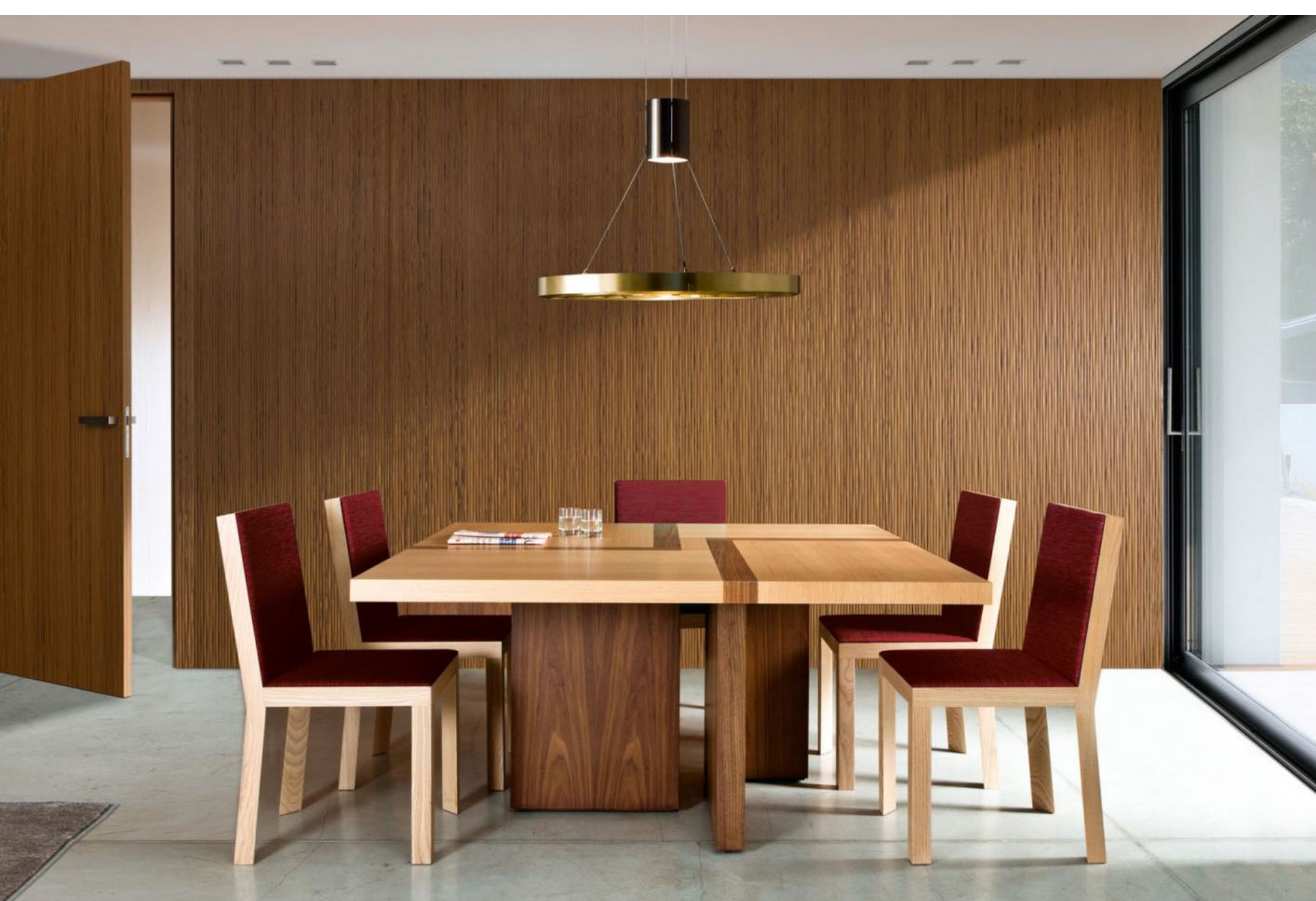
LAURAMERONI
design . collection



Hanging lamp with central lighting body, steel cables and satin brass rings.

MA10 refers to the technique of some office lamps commonly called "Darklight". The particular structure of these lamps allows controlling the emission of light through the reflector creating a concentrated intensity directly under the lamp.

The optical effect of this lamp is fascinating because the light source is not visible from a distance, and, only approaching, the light is revealed





This lamp is a masterpiece of our lighting collection for its ability to play a leading role in the setting.

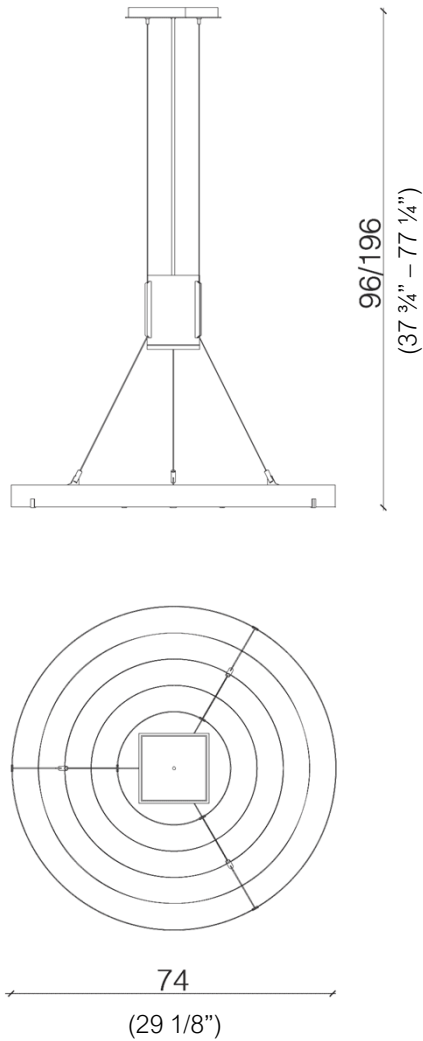
The central lighting body illuminates the brass rings for a surprising effect. Dark Light reinterprets some office lamps commonly called "darklight" with an innovative approach.

The concentric brass rings create unique reflections, ideal for any private or public setting.

Dark Light is the perfect lighting solution for clients who prefer lamps with a distinguishing design realized in precious metals.

SPECIFICATIONS

Dark Light



FINISH

Finish: Satin Brass

Lighting Body Finish: Black Nickel plated brass

LIGHTING INCLUDED

Type: Halogen

Base: E27

Bulb: A55

Model: BH56401

Wattage : 6W

Wattage Equivalent: 100W

Lumen: 3.800

Color: Warm White

Temperature: 2700K

Cri: 100

TRANSFORMER INCLUDED

Volt IN: 220-240V *

Hz: 50-60 Hz

Non dimmable

*the version for voltage 100-200V will be supplied without bulb



Satin Brass

MATERIA

COLLECTION
LUXURY DECOR AND BESPOKE SOLUTIONS

1060 Kane Concourse, Bay Harbor Islands, FL 33154

www.materiacollection.com | info@materiacollection.com

1-800-849-4953 | 786-438-1330

LAURAMERONI
design . collection

U.S.A HEADQUARTERS