



MATERIA

COLLECTION
LUXURY DECOR AND BESPOKE SOLUTIONS

DECOR COLLECTION WALL PANELS

LAURAMERONI
design . collection

DECOR WALL PANEL



Made to measure wood veneered board with horizontal or vertical Decor carving on the sight side, available in all woods and finishes of the collection and with integrated hinged or sliding doors.

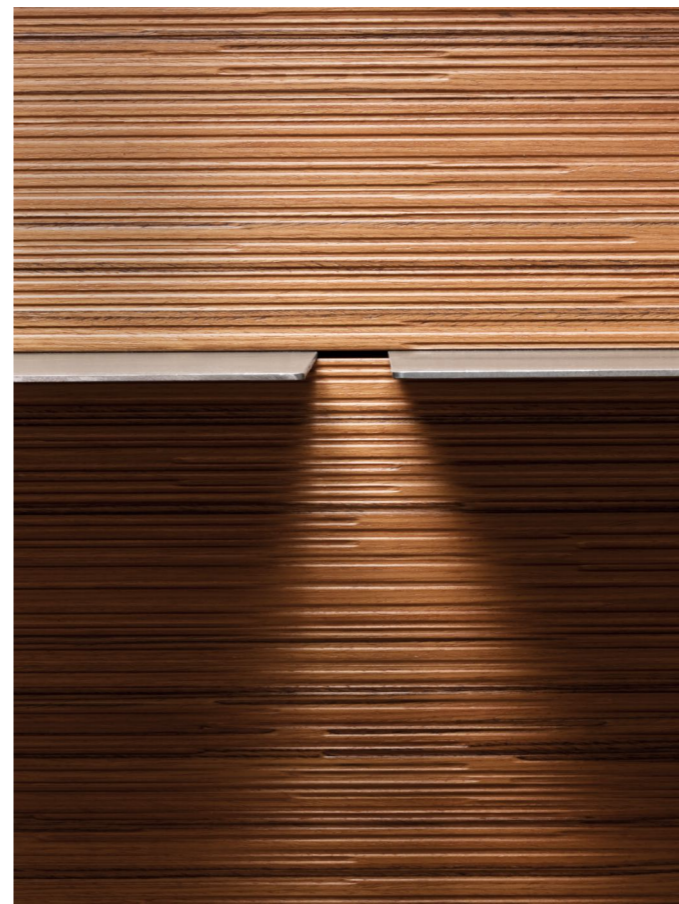
The wall panels can be used in combination with wood veneered or lacquered shelves and with matte lacquered metal shelves or metal shelves in iron finishing.

Decor panels can also be combined with horizontal hanging units in different finishes such as wood veneered with Decor carving or brushed matte lacquered.









Decor Panels are available also in the brushed matte lacquered version or covered with fabric and in combination with iron shelves to satisfy the need of any client.





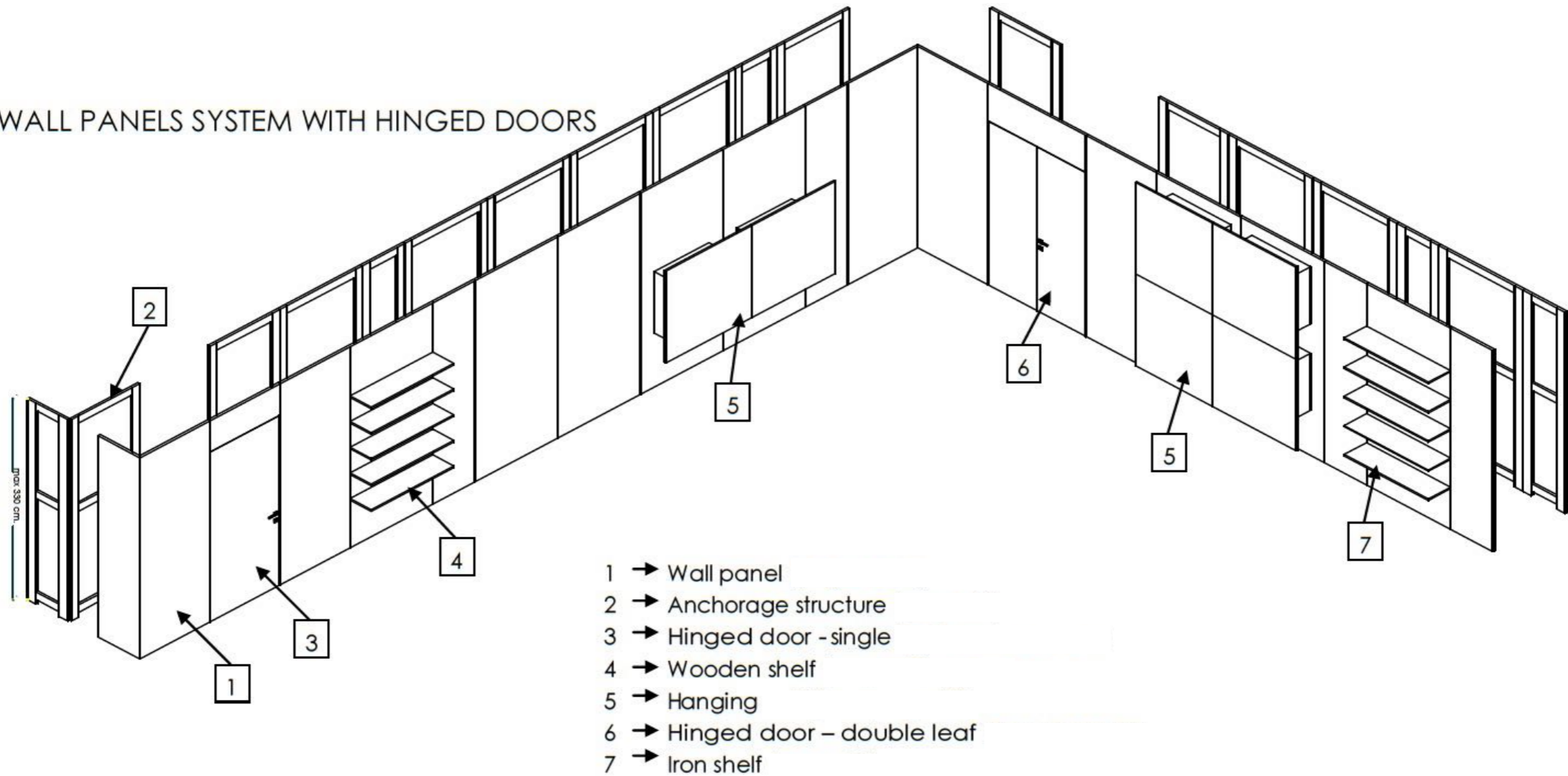


DECOR WALL PANEL

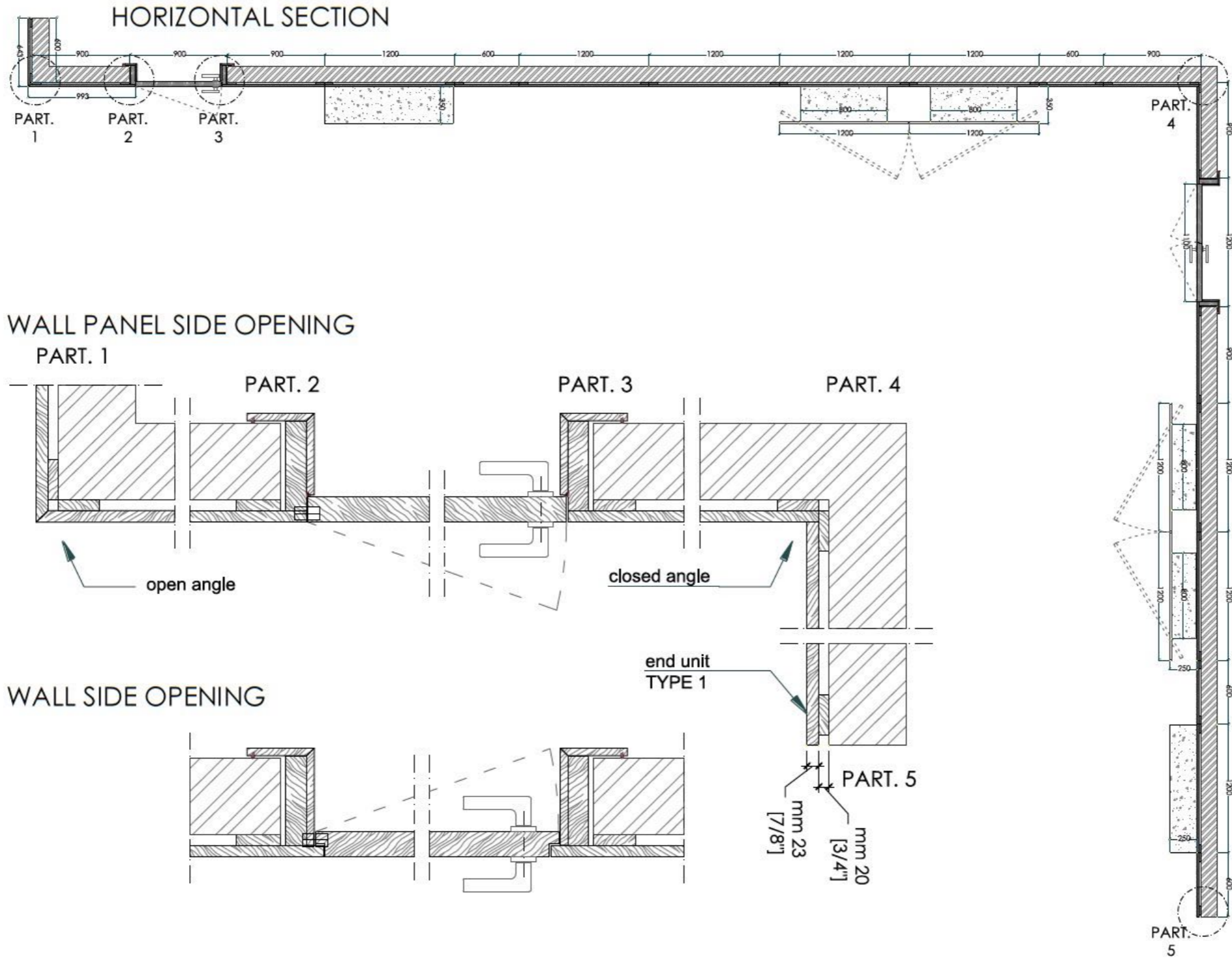
Thanks to our project evolution, the Decor doors collection includes also wall paneling, shelves and units that, available in all the woods and finishing (carved wood, lacquering and fabric) of the collection, create and decorate an exclusive environment marked by customized compositions.

A simple structure for hanging the panels to the wall allows a quick and accurate installation.

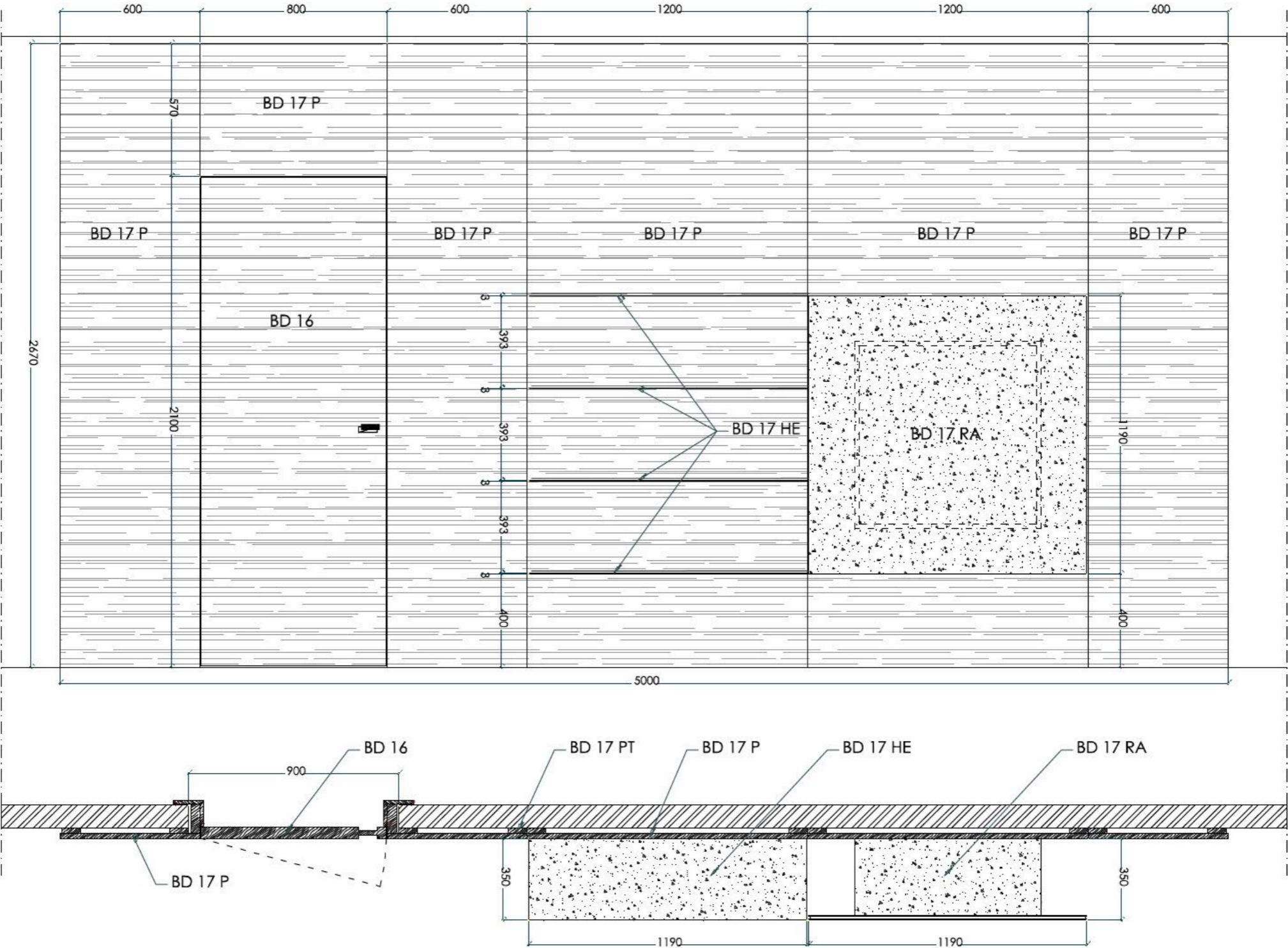
WALL PANELS SYSTEM WITH HINGED DOORS



DECOR WALL PANEL



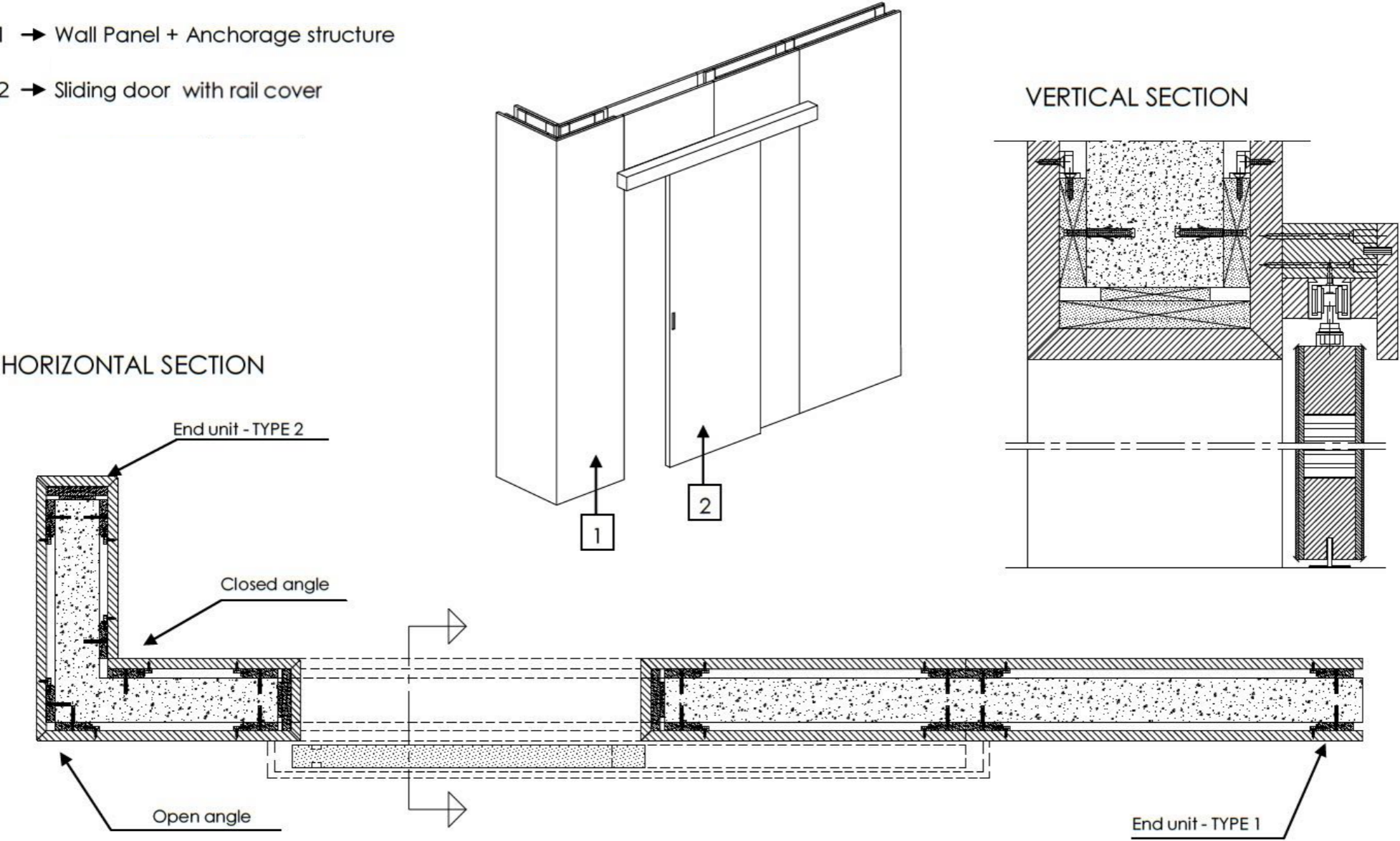
DECOR WALL PANEL



DECOR WALL PANEL

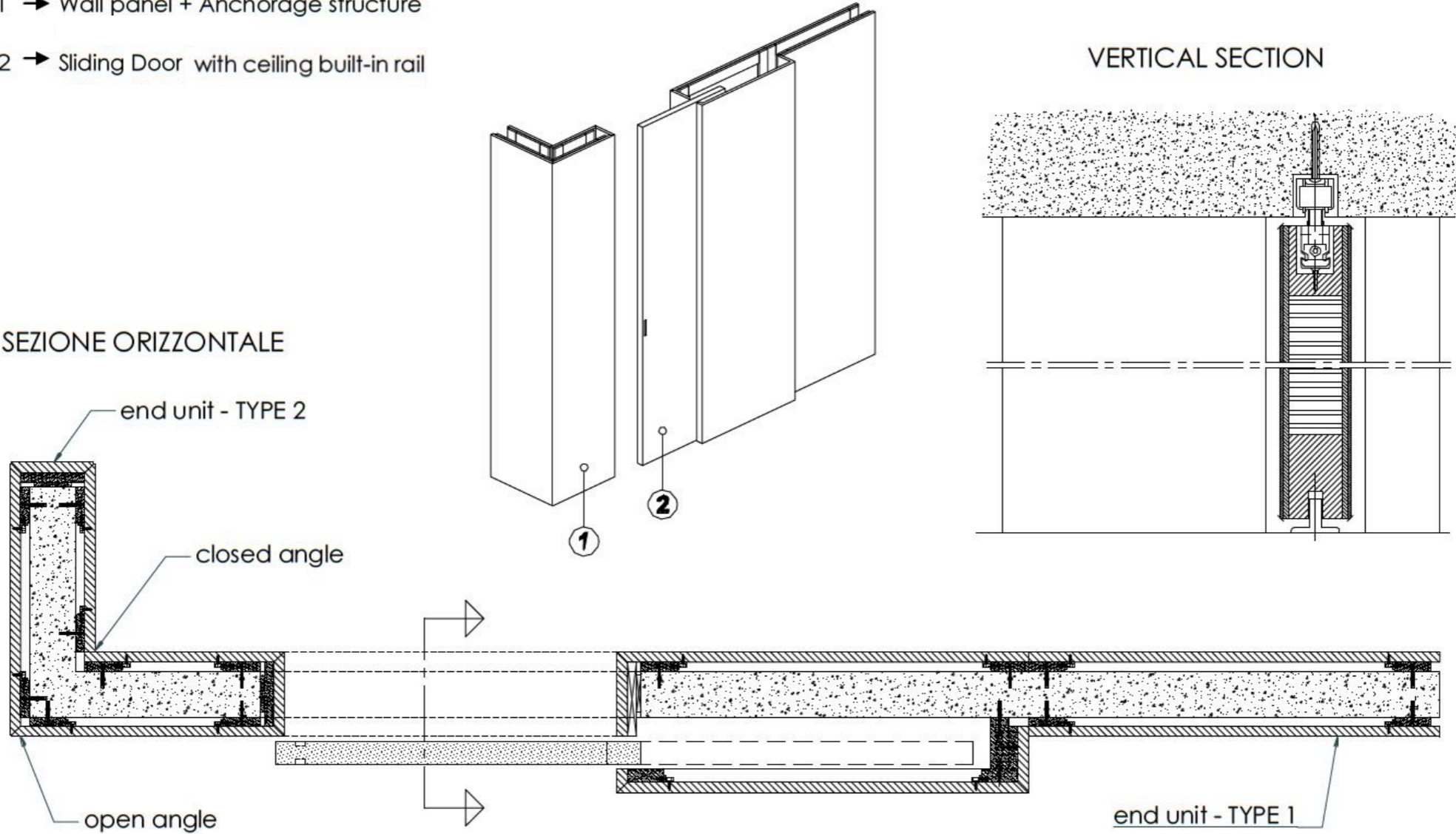
WALL PANELS SYSTEM with "AT SIGHT" Sliding Door

- 1 → Wall Panel + Anchorage structure
- 2 → Sliding door with rail cover

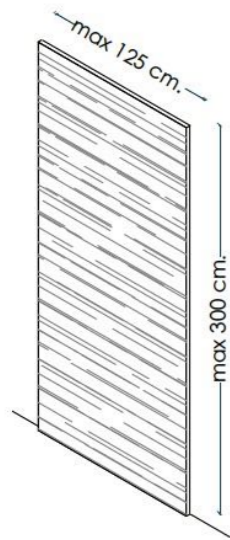


WALL PANELS SYSTEM with "POCKET" Sliding Door

- 1 → Wall panel + Anchorage structure
- 2 → Sliding Door with ceiling built-in rail



PANEL TYPES

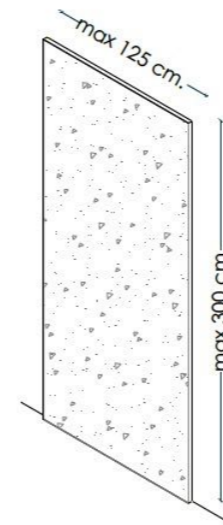


BD 17 P

Wooden board, carved on the sight side -
Thickness mm. 23

Horizontal DECOR carving

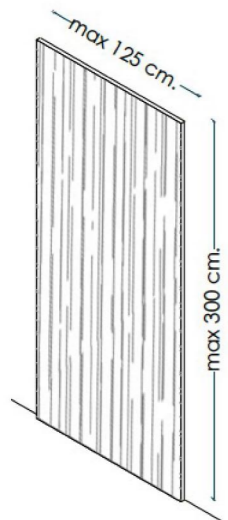
Available woods :
Rosewood, wenge, maple, walnut, cherry wood, oak, teak
Or aniline-dyed oak in all RAL colours



BD 17 PA

Wooden board, brushed matt lacquered on the sight side
Thickness mm. 20

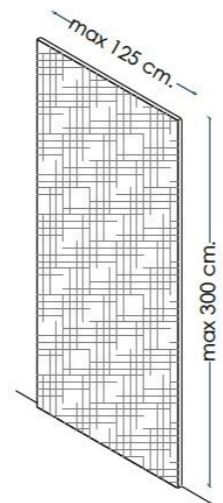
Available colours:
All RAL colours



BD 17 PL

Wood veneered board with vertical grain on the sight side -
Thickness mm. 20

Available woods :
Rosewood, wenge, maple, walnut, cherry wood, oak, teak
Or aniline-dyed oak in all RAL colours

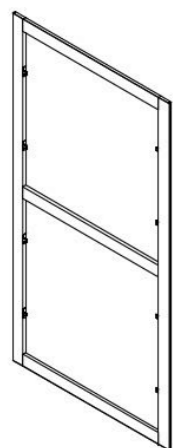


BD 17 PD

Wooden board, coated with fabric on the sight side
Thickness mm. 20 – Fabric excluded

Fabric (h. 140 cm) needed for the coating of a board on the
sight side with maximum width cm. 125:

Board h 200 = m. 2,10 x h 140
Board h 240 = m. 2,50 x h 140
Board h 300 = m. 3,10 x h 140



BD 17 PT

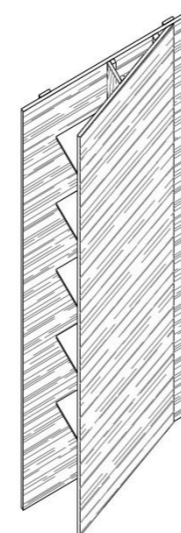
Wall anchorage structure in black painted plywood fitted with fasten-
ings for wall panels - Thickness mm. 20

Custom-made without any price variation

Important note:

To allow the assembly, the panel must be 30 mm. lower than the ceiling

To each ordered wall panel has to correspond an anchorage structure
with the same dimensions



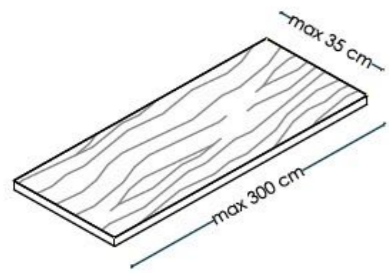
BD 17 KDX

Composition made up of a wall panel carved on the sight side, an an-
chorage structure and an inclined frontal panel carved on both sides
and fitted with hooking system and 5 metal shelves.

Available woods: rosewood, wengé, maple, walnut, cherrywood, oak,
and teak
Or aniline dyed oak in all RAL colours.

Shelves available in satin brass, burnished brass, or black iron "Cenere".

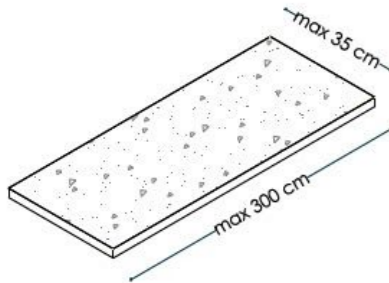
ACCESSORIES



BD 17 M

Plain wood veneered shelf - Thickness 40 mm.

Available woods :
Rosewood, wenge, maple, walnut, cherry wood, oak, teak

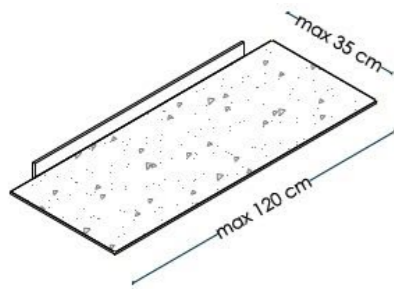


BD 17 MA

Brushed matt lacquered shelf - Thickness 40 mm.

Available colours:
All RAL colours

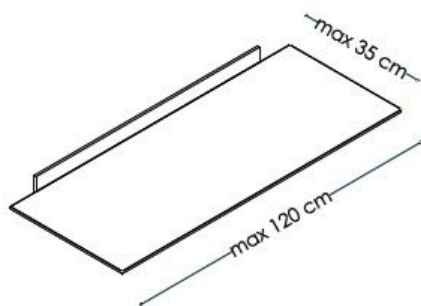
p



BD 17 HB

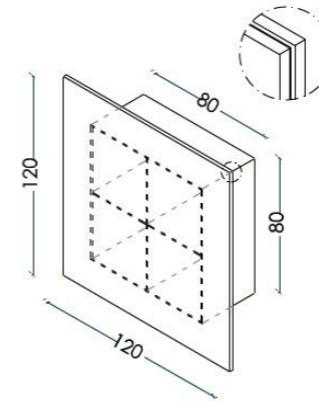
Matt lacquered metal shelf - Thickness 3 mm.

Available colours:
All RAL colours

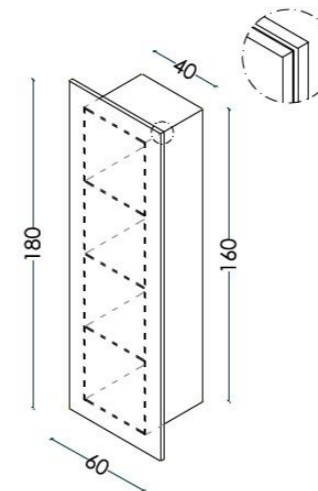
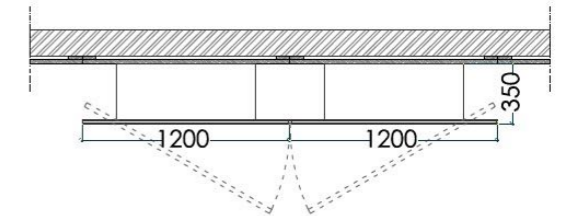


BD 17 HE

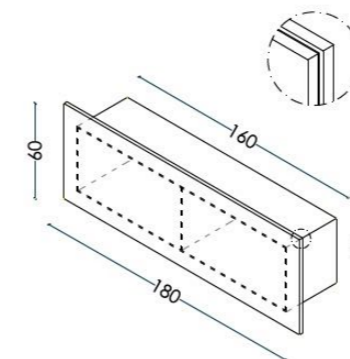
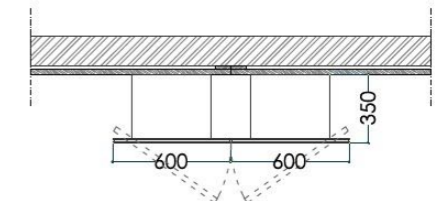
Metal shelf with iron finish - Thickness 3 mm.



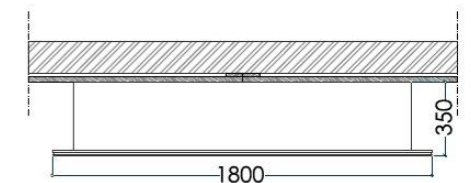
Wall Cupboard with 1 hinged door - cm. W 120 x H 120
Internal structure in wood - cm. W 80 x H 80 x D 35
Cupboard arranged for wall panel fastening through invisible hooks on the back panel.



Wall unit with 1 hinged door - cm. W 60 x H 180
Internal structure in wood - cm. W 40 x H 160 x D 35
Cupboard arranged for wall panel fastening through invisible hooks on the back panel.



Wall cupboard with 1 flap door - cm. W 180 x H 60
Internal structure in wood - cm. W 160 x H 40 x D 35
Cupboard arranged for wall panel fastening through invisible hooks on the back panel.



BD 17 R

By Bartoli Design

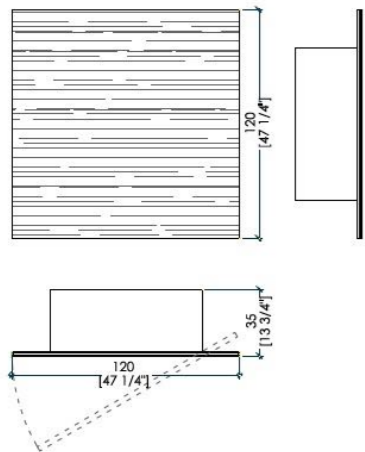
Wall cupboard

Wall cupboard with wood veneered structure and door featuring "DECOR" carving on both sides.

Available in all woods of the collection without any price variation.

Available in special dimensions: for info and costs please contact our sales dept.

Dimensions in cm.: W. 120 x D. 35 x H. 120



BD 17 RA

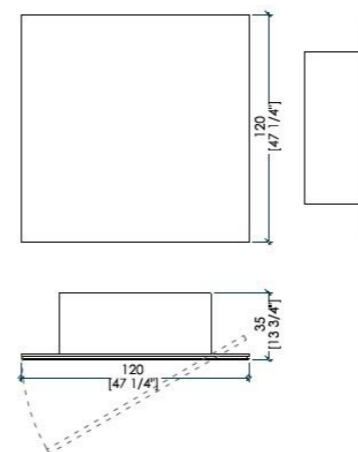
Wall cupboard

Wall cupboard with wood veneered or lacquered (brushed matt finish) structure and door.

Available in all woods of the collection and in all RAL colours (brushed matt lacquered finish) without any price variation.

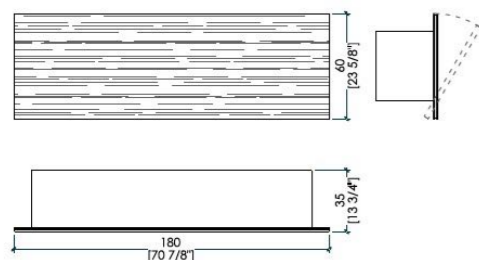
Available in special dimensions: for info and costs please contact our sales dept.

Dimensions in cm.: W. 120 x D. 35 x H. 120



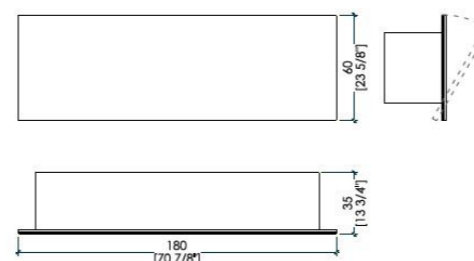
BD 37 R

Dimensions in cm.: W. 180 x D. 35 x H. 60



BD 37 RA

Dimensions in cm.: W. 180 x D. 35 x H. 60



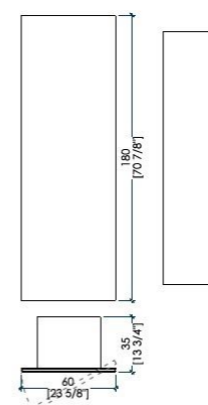
BD 27 R

Dimensions in cm.: W. 60 x D. 35 x H. 180



BD 27 RA

Dimensions in cm.: W. 60 x D. 35 x H. 180



BD 17 DA

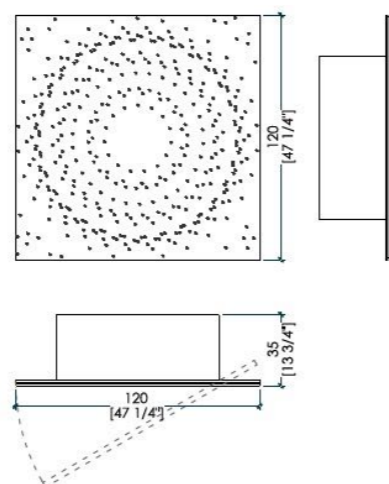
Wall cupboard

Wall cupboard with wood veneered structure and door featuring "MANDALA" carving on the sight side

This cupboard can be made in all the sample book woods without any price variation

Available in special dimensions: for info and costs please contact our sales dept

Dimensions in cm.: W. 120 x D. 35 x H. 120



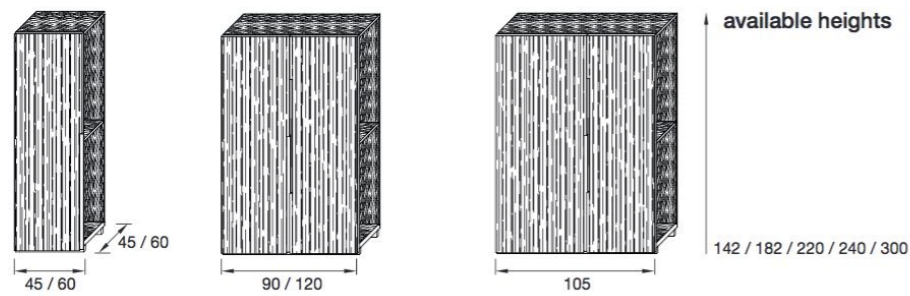
**Refer to Decor Cabinet PDF for more detailed information

modules

bases

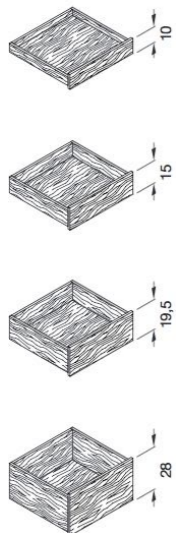


columns



accessories

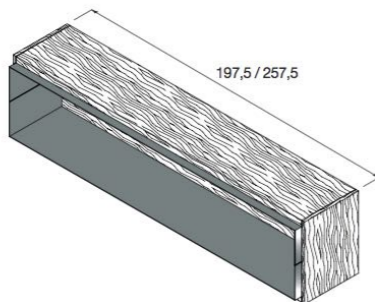
drawers



led shelves



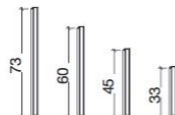
open compartment



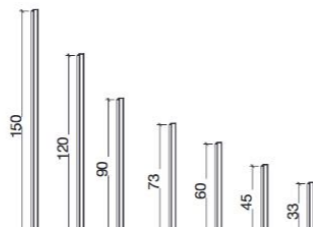
doors



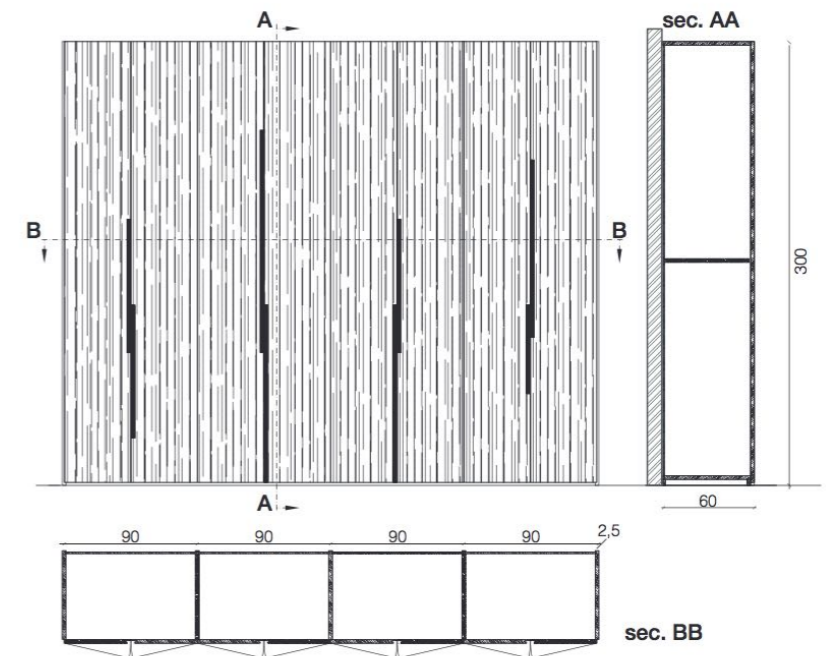
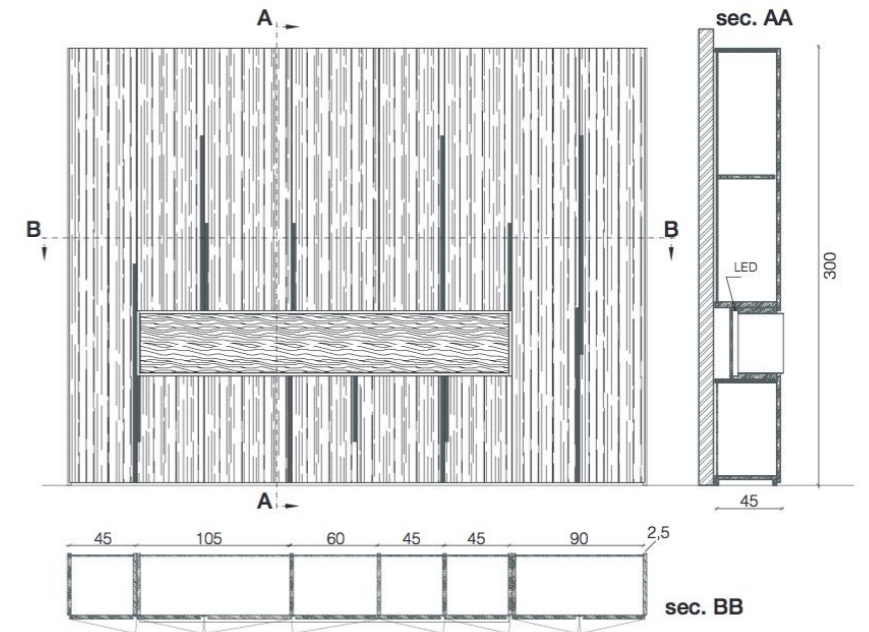
bases handles



columns handles



examples of possible compositions



DECOR CARVED WOODS



Maple



Oak



Teak



Walnut Canaletto



Rosewood



Wenge



Mahogany



Aniline RAL 9016



Available in all RAL Colours

DECOR LIQUID METALS



Bronze



Tin



Gold gK



Copper



www.materiacollection.com | info@materiacollection.com

MATERIA COLLECTION
LUXURY DECOR AND BESPOKE SOLUTIONS



[1060 Kane Concourse, Bay Harbor Islands, FL 33154](#)

[267 5th Ave New York, NY 10016](#)



786-438-1330



800-849-4953